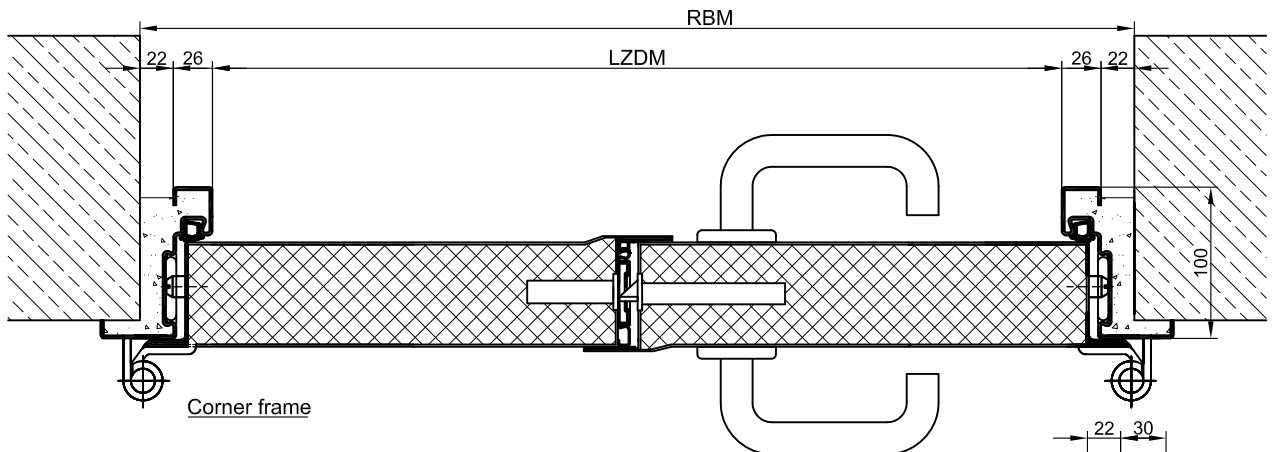
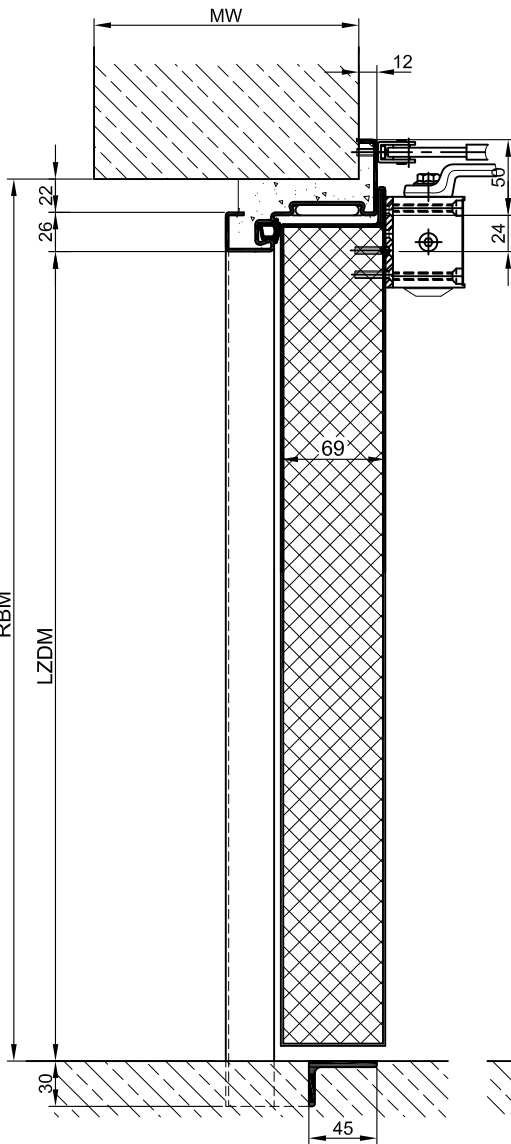


Special Models

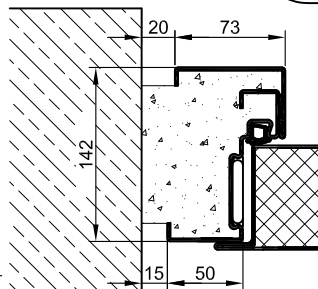
Smoke Protection:	Drop seal or stop sill.
Sound Insulation:	Drop seal or stop sill.
Burglary Protection:	RC 2, RC 3 or RC 4 safety package with safety fitting.
Glazing:	F30 Fire protection glass, held by steel glass bars minimum frieze width circumferential 90 mm. max. glass size 940 x 2195 mm.
With top plate res. top light:	Top light with F30 fire protection glass, min. frieze circumferential 90 mm
Stainless Steel:	Material 1.4301 (V2A) or. 1.4571 (V4A), Surface bright mill, brushed or mattet



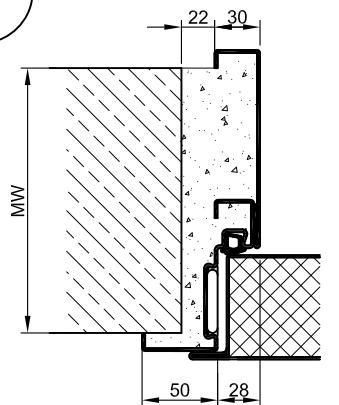
Corner frame



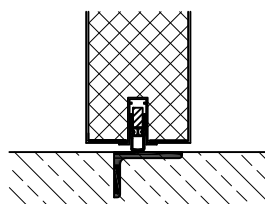
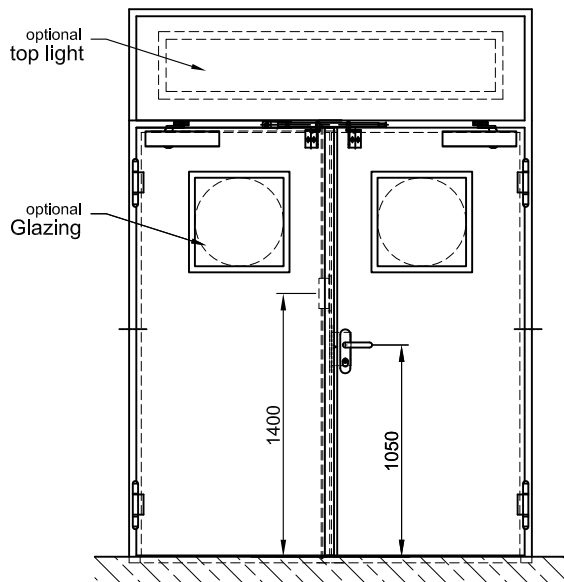
Separation rail



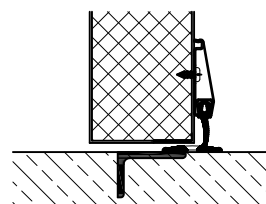
Block frame



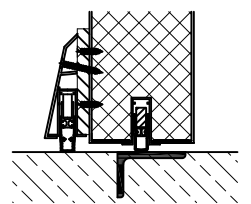
Encasing frame



Countersunk floor seal
Noise control $R_w = 37$ dB



Slide seal
Noise control $R_w = 39$ dB



Countersunk floor seal
Noise control $R_w = 42$ dB