



**Type PLANE Line PL 601 PREMIUM**

- Frame:** Three sided circumferential folded PLANE Line special corner frame for flush mounted optics on hinge side. With visible black coated intumescent material in fold. High-quality multi-chamber sealing profile adjustable fixed in the three sided groove.
- Hinges:** Object hinges type VB-3D 160 adjustable in three dimensions. Reception element with internal positioned slide bearings for smooth door movement.
- Door Closer:** Slide channel door closer system in accordance with DIN EN 1154 silver colored mounted on hinge side.

**Type PLANE Line PL 601 SUPERIOR**

- Frame:** Three sided circumferential folded PLANE Line special corner frame for flush mounted optics on hinge side. With visible black coated intumescent material in fold. High-quality multi-chamber sealing profile adjustable fixed in the three sided groove.
- Hinges:** Concealed hinge system adjustable in three dimensions.
- Door Closer:** Concealed slide channel door closer system in accordance with DIN EN 1154 integrated in frame and door leaf.
- Surface:** Door leaf and frame galvanized and primed with one component primer similar RAL 7001.
- Mounting:** Delivery and professional assembly including filling of the cavities in the frame with mortar of group III.
- Installation:**
- |                   |          |
|-------------------|----------|
| Masonry           | ≥ 115 mm |
| Concrete          | ≥ 100 mm |
| Aerated concrete  | ≥ 200 mm |
| Mounting wall F60 | ≥ 125 mm |

**Special Models**

- Flush Glazing:** **PLANE Line F60** special glazing flush with outer edge of door leaf on hinge side and opposite of hinge side.  
Edge enameling and permanent elastic glazing joint in color black RAL 9004.  
Minimum frieze width 125 mm side and top, base 300 mm.
- Standard Glazing:** F60 fireproof glazing held by profiled and visibly screwed steel glazing bars.  
Minimum frieze width 125 mm side and top, base 300 mm.
- Smoke Protection:** Drop seal or stop sill.
- Sound Insulation:** Drop seal, hump sill or stop sill.
- Burglary Protection:** RC 2, RC 3, RC 4 or RC 5 safety package with safety fitting.
- Bullet Proof:** FB 4-NS special inlay in door leaf and frame.
- Airtight:** High-quality multi-chamber sealing profile adjustable fixed in the three sided groove of the frame in connection with a drop seal or a stop seal.

**Driving Rain Water tight:**

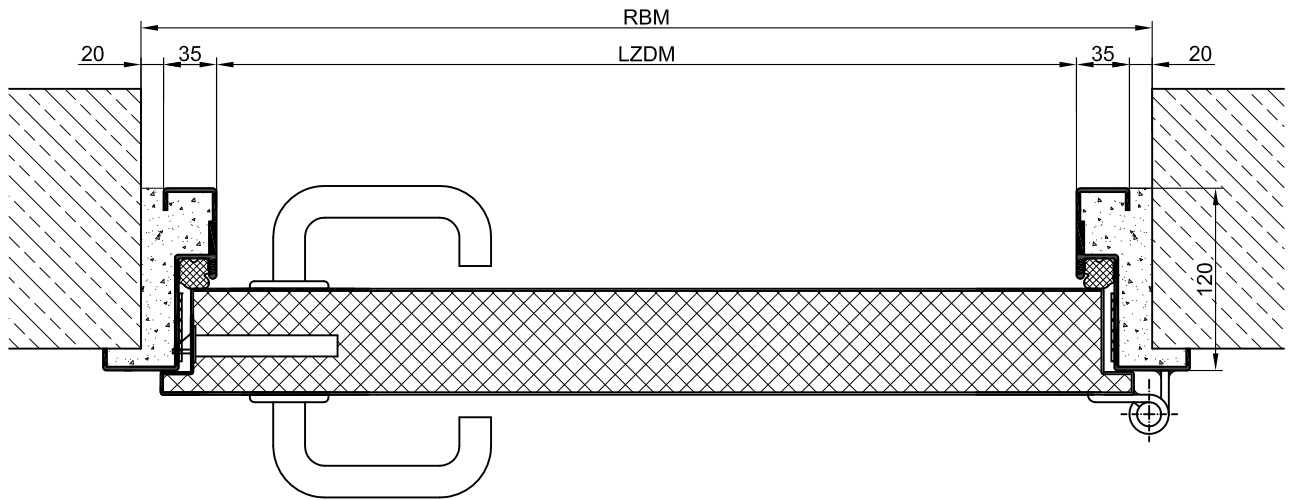
High-quality multi-chamber sealing profile adjustable fixed in the three sided groove of the frame in connection with a drop seal or a stop seal.

**Windproof**

High-quality multi-chamber sealing profile adjustable fixed in the three sided groove of the frame in connection with a drop seal or a stop seal

**Stainless Steel:**

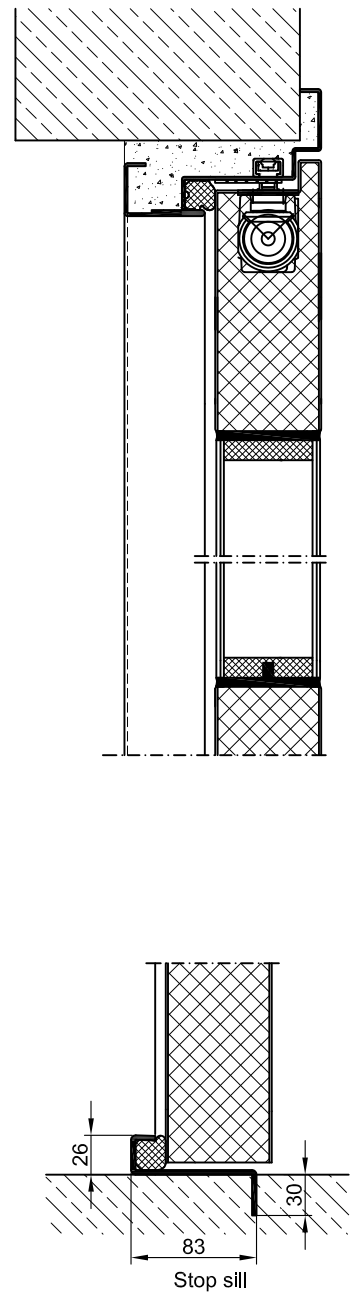
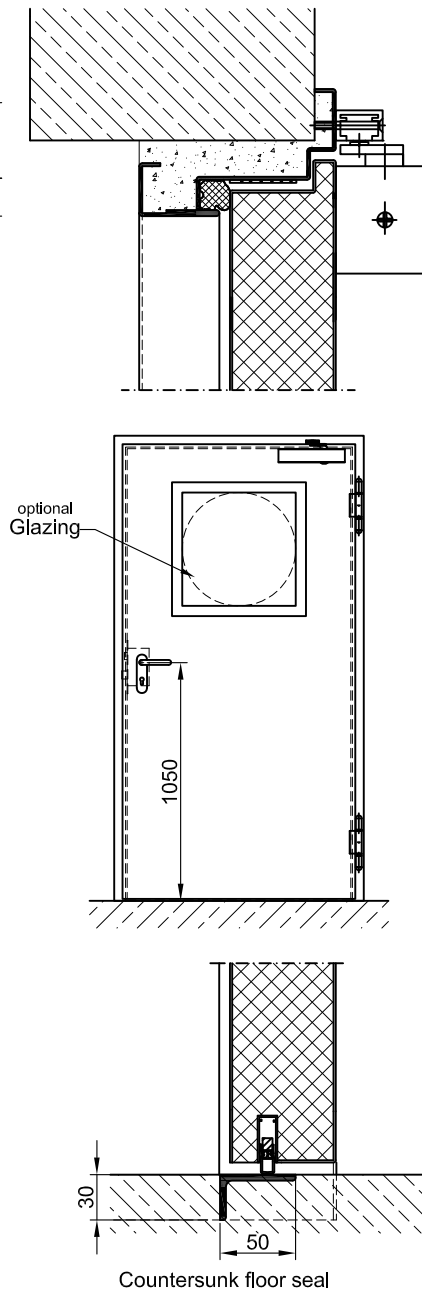
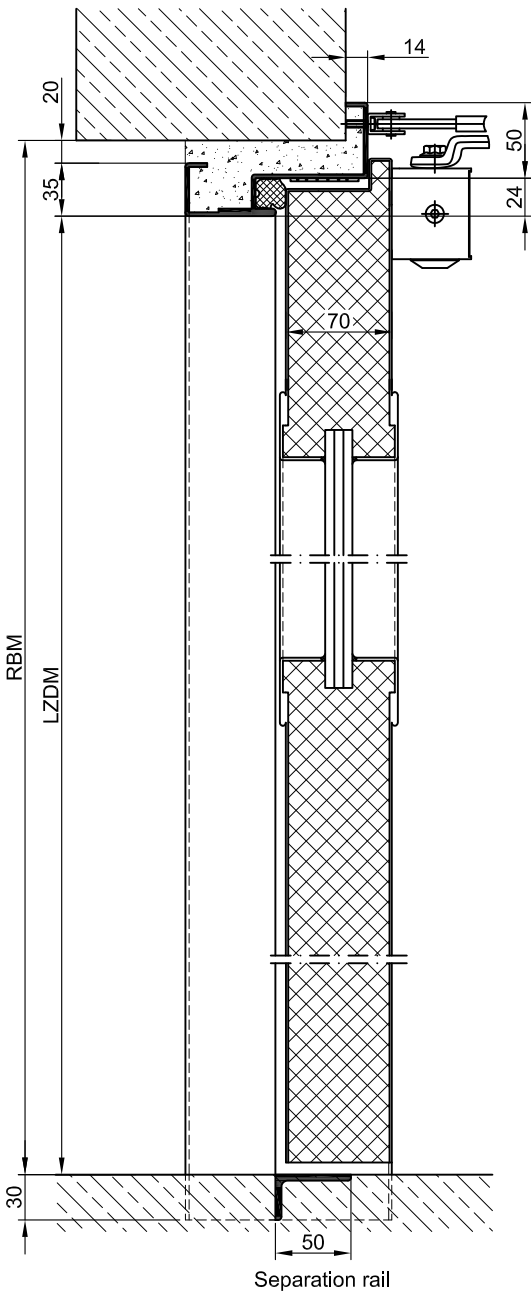
Material 1.4301 (V2A) or. 1.4571 (V4A),  
Surface bright mill, brushed or mattet



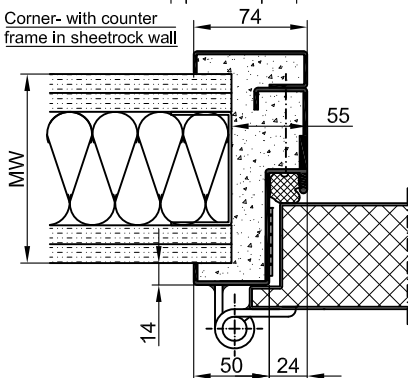
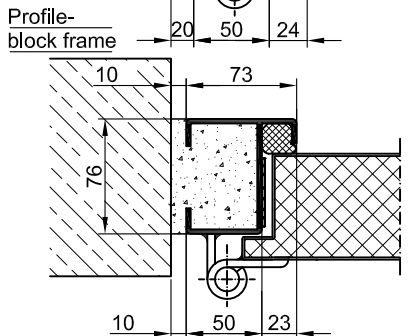
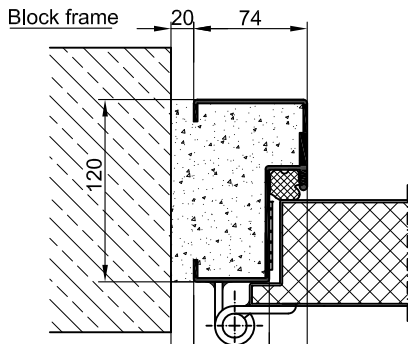
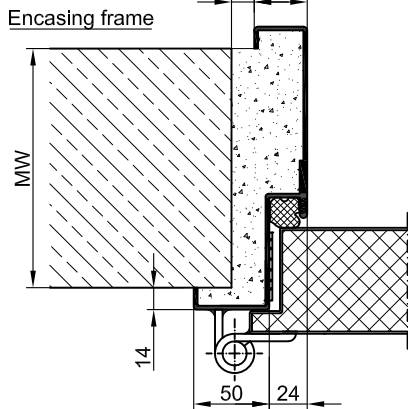
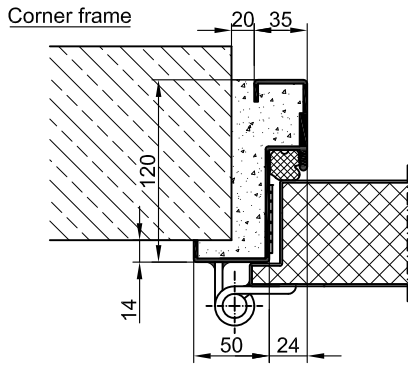
BASIC

PREMIUM

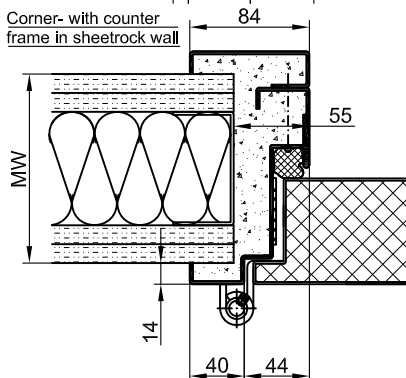
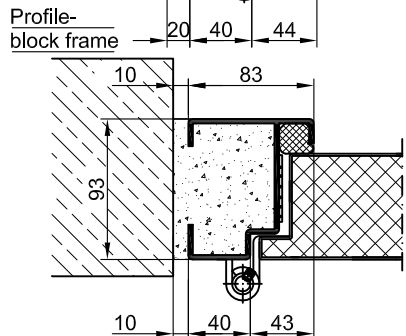
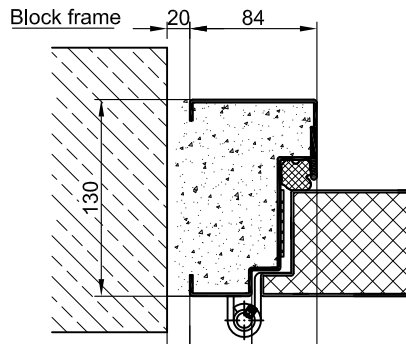
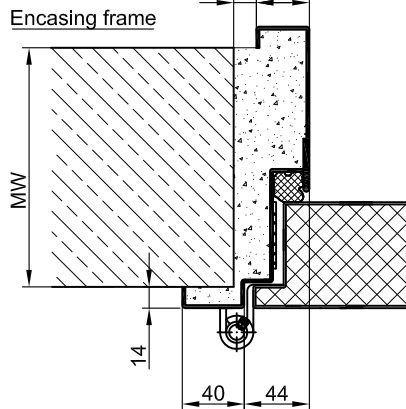
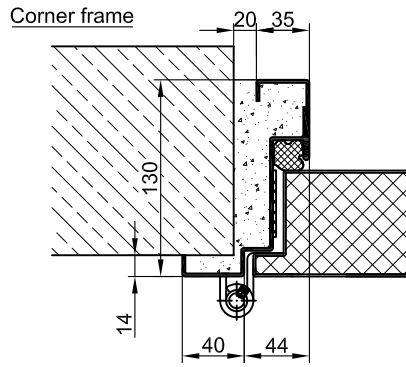
SUPERIOR



### BASIC



### PREMIUM



### SUPERIOR

