



provided by customer).

Door handle set in accordance with DIN EN 1906 firmly installed turnable synthetic material black in U-shape with rounded short-plate.

**Inactive door leaf** with espagnolette bolt lock in the central rebate profile.

#### **Type PLANE Line PL 902 PREMIUM**

- Frame:** Three sided circumferential folded PLANE Line special corner frame for flush mounted optics on hinge side. With visible black coated intumescent material in fold. High-quality multi-chamber sealing profile adjustable fixed in the three sided groove.
- Hinges:** Object hinges type VB-3D 160 adjustable in three dimensions. Reception element with internal positioned slide bearings for smooth door movement.
- Door Closer:** Slide channel door closer system in accordance with DIN EN 1154 silver colored mounted on hinge side.

#### **Type PLANE Line PL 902 SUPERIOR**

- Frame:** Three sided circumferential folded PLANE Line special corner frame for flush mounted optics on hinge side. With visible black coated intumescent material in fold. High-quality multi-chamber sealing profile adjustable fixed in the three sided groove.
- Hinges:** Concealed hinge system adjustable in three dimensions.
- Door Closer:** Concealed slide channel door closer system in accordance with DIN EN 1154 integrated in frame and door leaf.
- Surface:** Door leaf and frame galvanized and primed with one component primer similar RAL 7001.
- Mounting:** Delivery and professional assembly including filling of the cavities in the frame with mortar of group III.
- Installation:**
- |                   |          |
|-------------------|----------|
| Masonry           | ≥ 175 mm |
| Concrete          | ≥ 140 mm |
| Aerated concrete  | ≥ 200 mm |
| Mounting wall F60 | ≥ 125 mm |

#### **Special Models**

- Standard Glazing:** F90 fireproof glazing held by profiled and visibly screwed steel glazing bars.  
Minimum frieze width Lock side 240 mm, side and top 133 mm, base 300 mm.
- Smoke Protection:** Drop seal or stop sill.
- Sound Insulation:** Drop seal, hump sill or stop sill.
- Burglary Protection:** RC 2, RC 3 or RC 4 safety package with safety fitting.
- Bullet Proof:** FB 4-NS special inlay in door leaf and frame.
- Airtight:** High-quality multi-chamber sealing profile adjustable fixed in the three sided groove of the frame in connection with a drop seal or a stop seal.

**Driving Rain Water tight:**

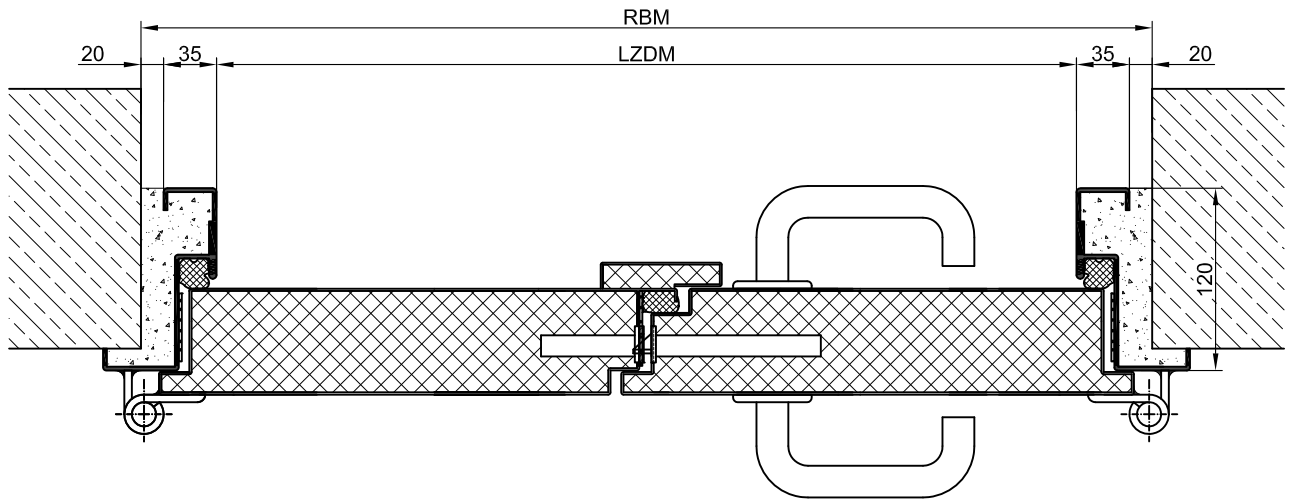
High-quality multi-chamber sealing profile adjustable fixed in the three sided groove of the frame in connection with a drop seal or a stop seal.

**Windproof**

High-quality multi-chamber sealing profile adjustable fixed in the three sided groove of the frame in connection with a drop seal or a stop seal

**Stainless Steel:**

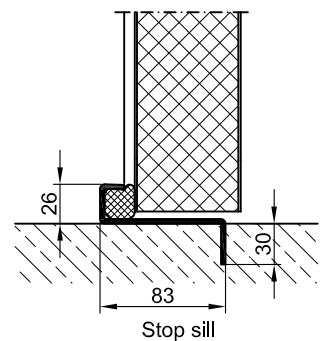
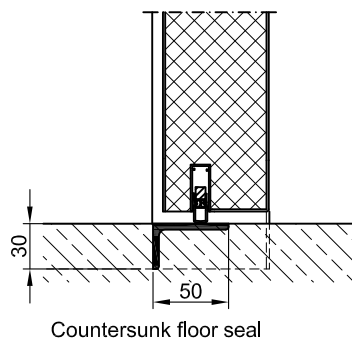
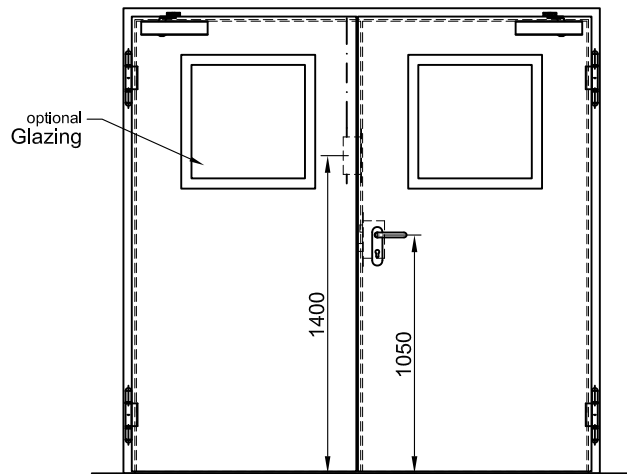
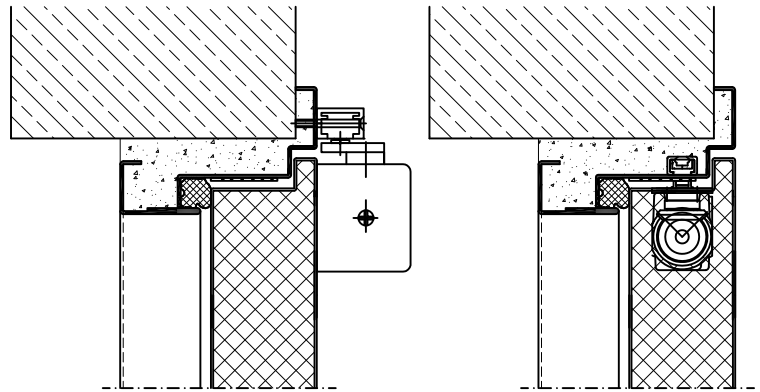
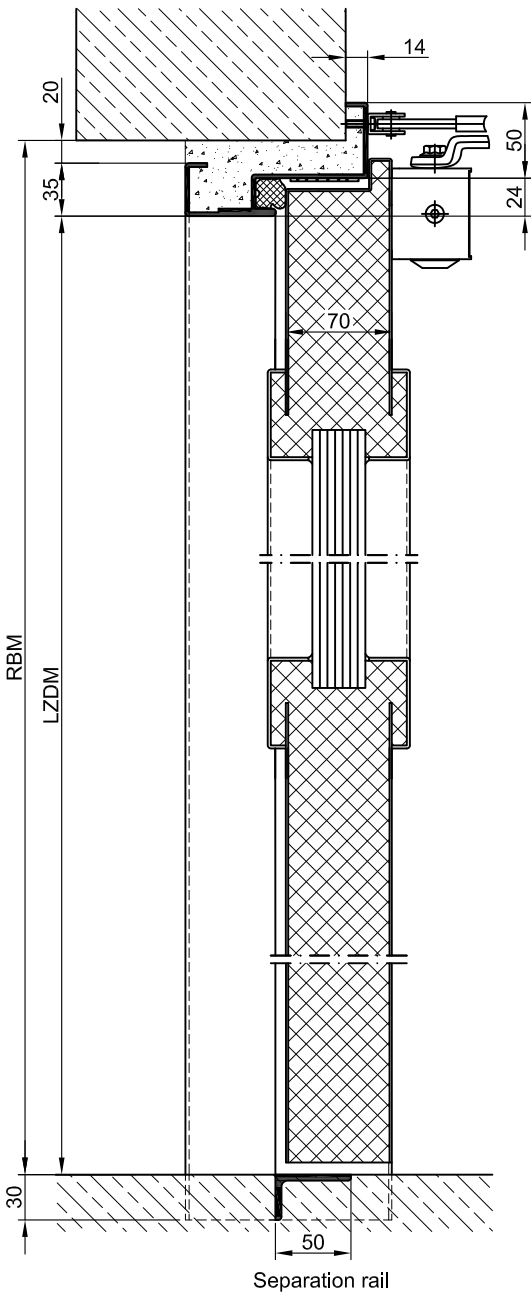
Material 1.4301 (V2A) or. 1.4571 (V4A),  
Surface bright mill, brushed or mattet



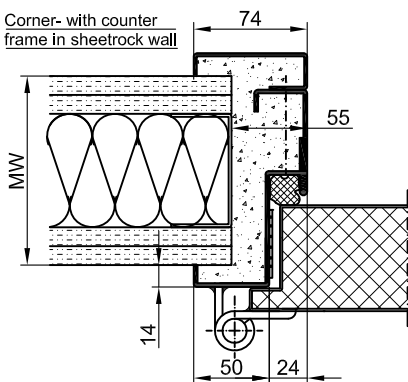
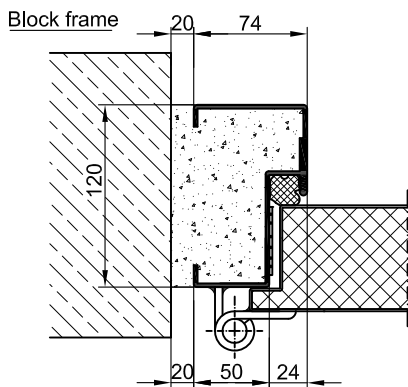
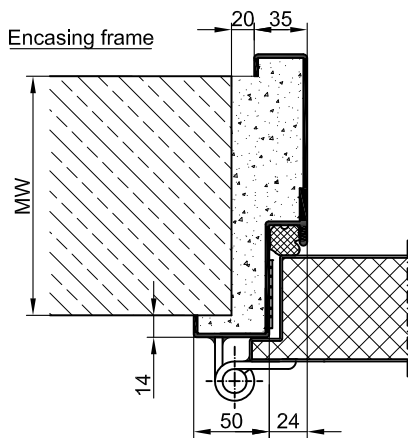
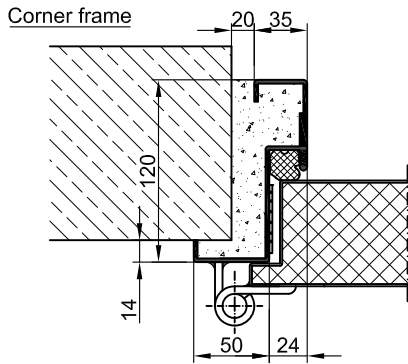
BASIC

PREMIUM

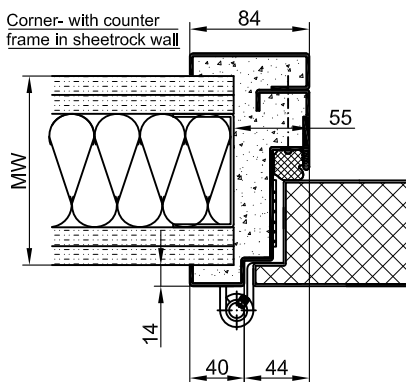
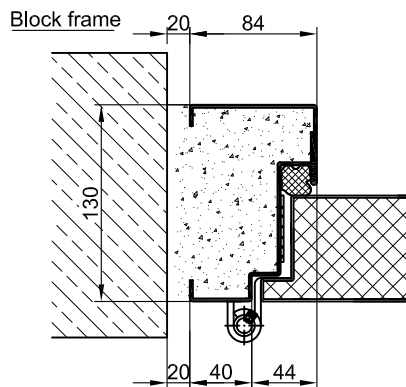
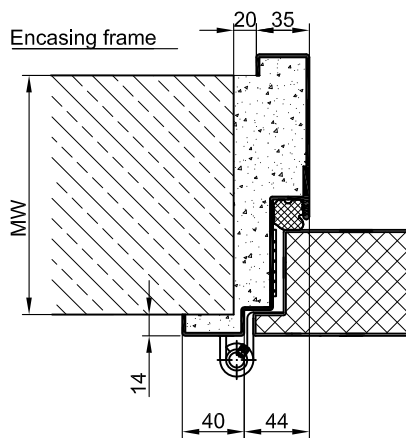
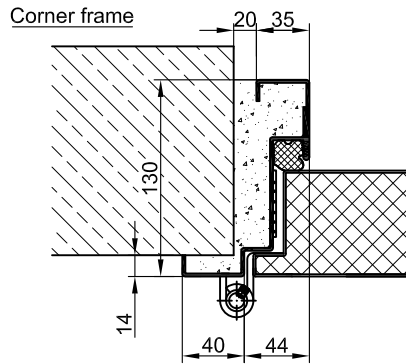
SUPERIOR



**BASIC**



**PREMIUM**



**SUPERIOR**

