

**Single Wing T 30 Fire Retardant Steel Sliding Gate**

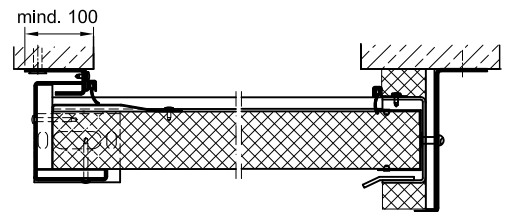
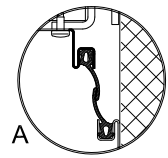
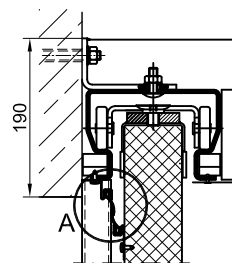
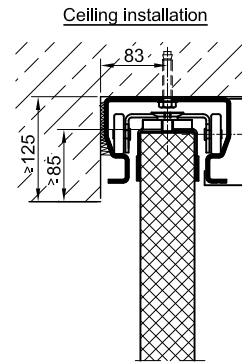
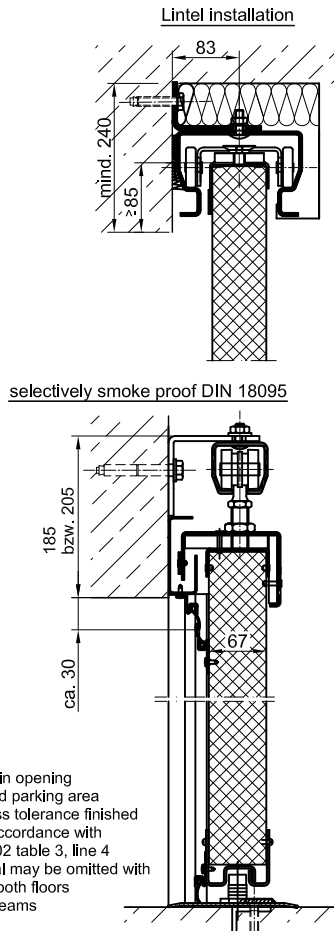
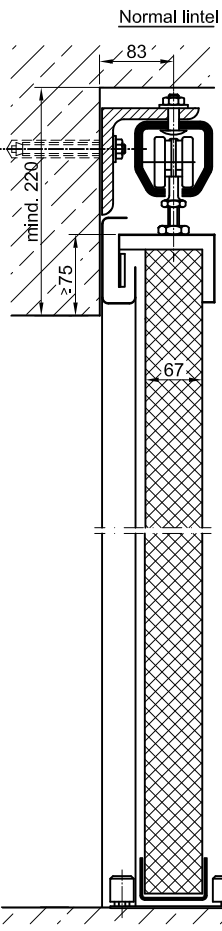
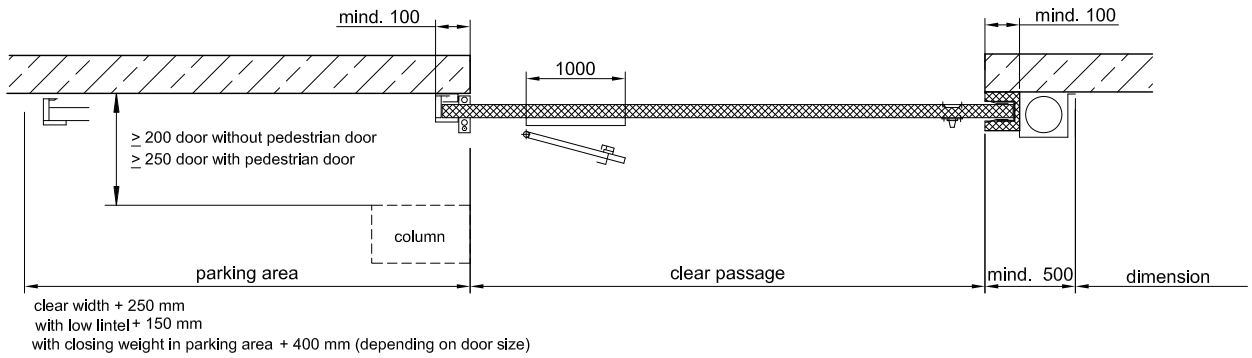
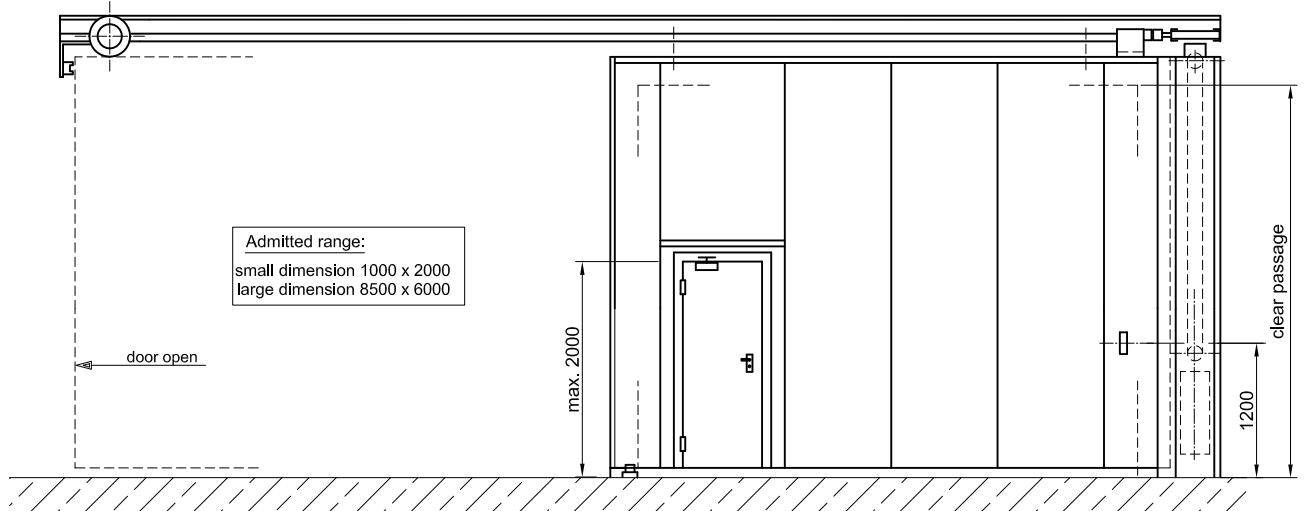
|  |   |                                     |
|--|---|-------------------------------------|
| <b>Fire Protection</b>   | <b>T30</b>  | <b>in accordance with DIN 4102</b>  |
| * Smoke control<br>* Glazing<br>* Pedestrian door<br>* Stainless steel | <b>RS</b>   | <b>in accordance with DIN 18095</b> |
| <b>Range of Dimensions:</b>  | <b>Width from 1000 mm to 8500 mm<br/>Height from 2000 mm to 6000 mm<br/>(Doors under 1500 mm width not higher than 2500 mm)</b> |                                     |
| * (possible special options)   |   |                                     |

**Technical specification and text for invitation to tender**

|                      |  |          |
|----------------------|--|----------|
| <b>Product:</b>      | <b>T30-1 single wing fire retardant steel sliding gate brand Buchele in accordance with DIN 4102</b>   |          |
| <b>Door Type:</b>    | <b>T30-1 ST</b>  |          |
| <b>Dimensions:</b>   | <b>.... x .... mm</b>  |          |
| <b>Door leaf:</b>    | Consists of basic element (number according to opening width), 67 mm thick, of 1,0 mm sheet metal edged, Overlapping on sides at least 100 mm, On top at least 75 mm (with low lintel 85 mm).  |          |
| <b>Frame:</b>        | 3-sided pressed maze seal 2 pieces door guiding shoes beyond passage way.  |          |
| <b>Fitting:</b>      | The door leaf has a shell handle on each side. The drive consists of one double paired ball bearing cam roller per element running in a helmet rail.<br>The door closes automatically by counterweight in the sheet metal cover. To achieve an even closing each door leaf has a radial damper and to minimize the impact when opening or closing a hydraulic damper per leaf. |          |
| <b>Surface:</b>      | Door leaf and frame galvanized (Primed at additional charges)  |          |
| <b>Installation:</b> | in brick wall  | ≥ 240 mm |
|                      | in concrete  | ≥ 140 mm |
|                      | in gas concrete  | ≥ 240 mm |

**Special Options**

|                         |   |
|-------------------------|---|
| <b>Smoke control:</b>   | With overrun seals in the closing areas as well as contact seals in lintel and floor area.  |
| <b>Glazing:</b>         | Fire protection glazing F30, minimum frieze width per panel.<br>3-sided 190 mm, base height 1150 mm, but max. 450 x 1100 mm.                        |
| <b>Pedestrian door:</b> | Size max. 1000 x 2000 mm (without sill). Installation of a pedestrian door can only be done on a door width over 1500 mm and a height over 2100 mm. |
| <b>Stainless steel:</b> | Material 1.4301 (V2A) res. 1.4571 (V4A),<br>Surface brushed and rotary matte finished   |



Floor sill in opening range and parking area  
Planeness tolerance finished floor in accordance with DIN 18202 table 3, line 4  
Floor seal may be omitted with even smooth floors without seams