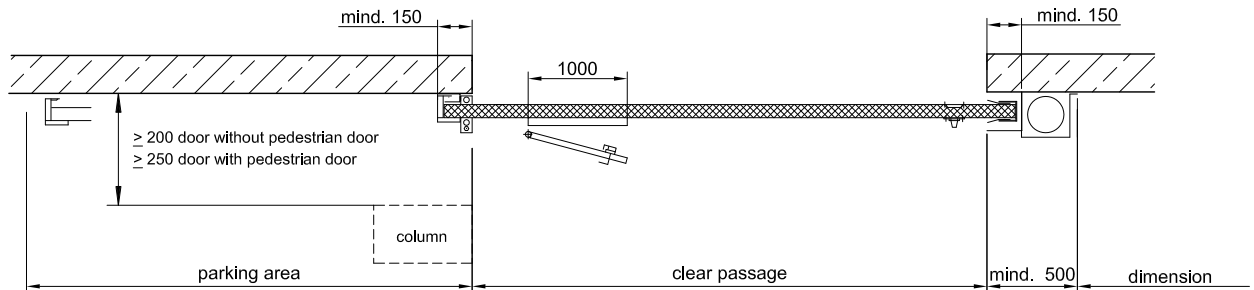
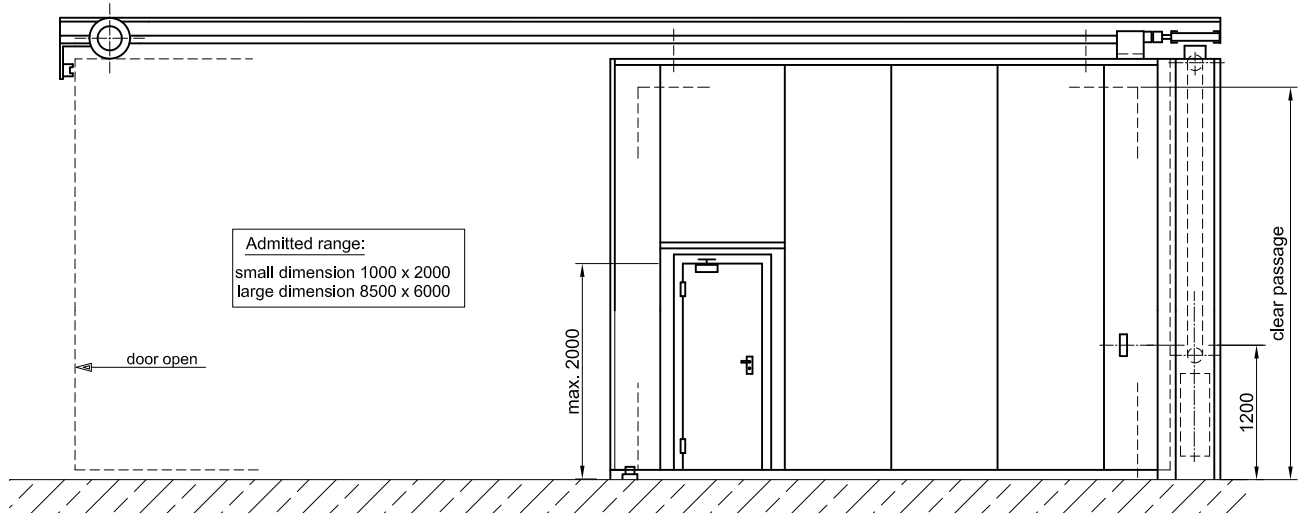


Single Wing T 90 Fire Resistant Steel Sliding Gate**Fire Protection** **T90** **certified in accordance with DIN 4102***** Smoke control** **RS** **certified in accordance with DIN 18095**
*** Glazing**
*** Pedestrian door**
*** Stainless steel****Range of Dimensions:** **Width from 1000 mm to 8500 mm**
Height from 2000 mm to 6000 mm
(Doors under 1500 mm width not higher than 2500 mm)*** (possible special options)****Technical specification and text for invitation to tender**

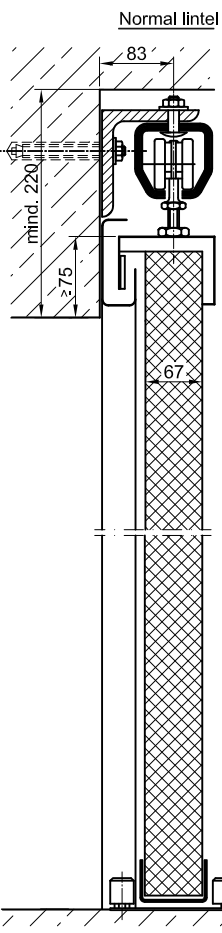
Product:	T90-1 single wing fire resistant steel sliding gate brand Buchele In accordance with DIN 4102	
Door Type:	T90-1 ST	
Dimensions: x mm	
Door leaf:	Consists of basic element (Number according to opening width), 67 mm thick, of 1,0 mm sheet metal edged, Overlapping on sides at least 150 mm, On top at least 75 mm (with low lintel 85 mm).	
Frame:	3- sided pressed maze seal 2 pieces door guiding shoes beyond passage way.	
Fitting:	The door leaf has a shell handle on each side. The drive consists of one double paired ball bearing cam roller per element running in a helmet rail. The door closes automatically by counterweight in the sheet metal cover. To achieve an even closing each door leaf has a radial damper and to minimize the impact when opening or closing a hydraulic damper per leaf.	
Surface:	Door leaf and frame galvanized (Primed at additional charges).	
Installation:	in brick wall	≥ 240 mm
	in concrete	≥ 140 mm
	in gas concrete	≥ 240 mm

Special Options

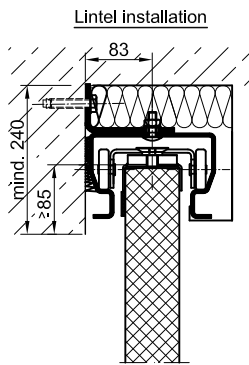
Smoke control:	With overrun seals in the closing areas as well as contact seals in lintel and floor area.
Glazed:	Fire protection glazing F90, minimum frieze width per panel. 3-sided 190 mm, base height 1150 mm, but max. 450 x 1100 mm.
Pedestrian door:	Size max. 1000 x 2000 mm (without sill). Installation of a pedestrian door can only be done on a door width over 1500 mm and a height over 2100 mm.
Stainless steel:	Material 1.4301 (V2A) res. 1.4571 (V4A), Surface brushed and rotary matte finished.



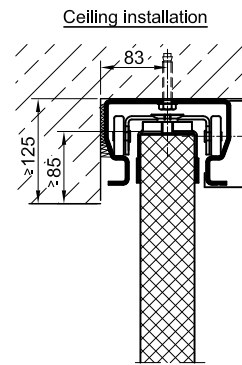
clear width + 250 mm
with low lintel + 150 mm
with closing weight in parking area + 400 mm (depending on door size)



Normal lintel

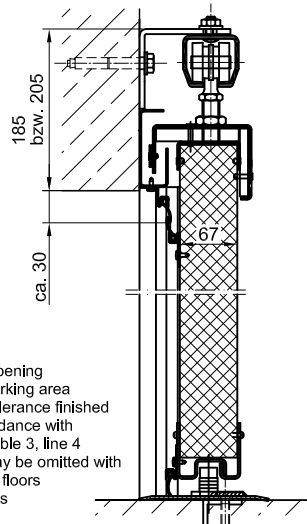


Lintel installation



Ceiling installation

selectively smoke proof DIN 18095



Floor sill in opening range and parking area
Planeness tolerance finished floor in accordance with DIN 18202 table 3, line 4
Floor seal may be omitted with even smooth floors without seams

