

Double Wing FB 6 Bullet Proof Door

**Plane Optic
Bullet Proof**

FB 6 NS

in accordance with DIN EN 1522

(* special options see on reverse side)

* Burglar Proof:	RC2/RC3/RC4/RC5	in accordance with DIN EN 1627
* Noise Control	up to R_w 46 dB	in accordance with DIN EN ISO 10140-2
* Air Tight	Class. 4	in accordance with DIN EN 1026
* Rain and Fire Water Tight	Class. 6A	in accordance with DIN EN 1027
* Wind tight	Class. C5	in accordance with DIN EN 12211
* Pressure resistant	up to 5 kPa	
* Explosion protection	up to zone 1/21	in acc. with DIN EN 1127-1 or ATEX 94/9/EG
* Stainless steel		

Range of Dimensions: **Width from 625 mm to 1500 mm**
Height from 1750 mm to 3000 mm

(* special options)

Technical specification and text for invitation to tender

Product:	PL-2 double wing bullet proof steel door brand Buchele in accordance with DIN EN 1522
Door Type:	PLANE Line PL 2 BASIC
Bullet Proof:	FB 6 NS
Dimensions: x mm
Door Leaf:	Double walled, level 70 mm thick steel door leaf without hinge embossing, three sides folded with thick rebate without bottom stop. Special insulating inserts completely laid in and glued. Safety bolt screwed in door leaf fold.
Sill:	Floor bracket as stop sill. Surface galvanized and welded to the frame.
Frame:	3-sided circumferential folded corner frame with high-quality multi- chamber sealing profile adjustable fixed in the three sided groove.
Hinges:	Threepart height-adjustable construction hinges with hinge pin retention and ball-bearing spacer ring for smooth door movement.
Fitting:	Active door leaf with 2-point safety locking system with latch lever function in accordance with DIN EN 12209 (prepared for installation of a profile cylinder lock provided by customer). Safety door handle set with DIN EN 18257 firmly installed turnable aluminium F1 in U-shape with rounded protective plate. Inactive door leaf with espagnolette bolt lock in the central rebate profile.

Type PLANE Line PL 2 PREMIUM

Frame:	Three sided circumferential folded PLANE Line special corner frame for flush mounted optics on hinge side. High-quality multi-chamber sealing profile adjustable fixed in the three sided groove.
---------------	---

Hinges: Object hinges type VB-3D 160 adjustable in three dimensions. Reception element with internal positioned slide bearings for smooth door movement.

Type PLANE Line PL 2 SUPERIOR

Frame: Three sided circumferential folded PLANE Line special corner frame for flush mounted optics on hinge side. High-quality multi-chamber sealing profile adjustable fixed in the three sided groove.

Hinges: Concealed hinge system adjustable in three dimensions.

Door Closer: Invisible cam-action door closer system in accordance with DIN EN 1154 integrated in frame and door leaf.

Surface: Door leaf and frame galvanized and primed with one component primer similar RAL 7001.

Mounting: Delivery and professional assembly including filling of the cavities in the frame with mortar of group III.

Special Models

Standard Glazing: Regular glazing – or insulated glazing BR6 held by steel glass bars. Minimum frieze width 125 mm on side and top, base 300 mm

Emergency Door: With panic fitting in accordance with DIN EN 179 and 1125

Burglar Proof: RC 2, RC 3, RC4 or RC5

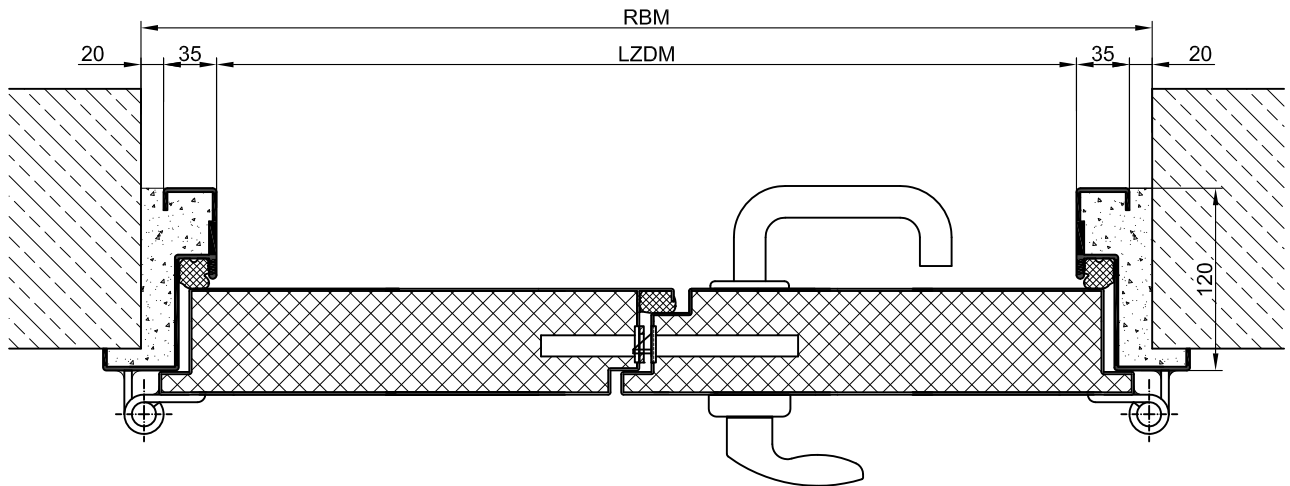
Sound Insulation: Up to $R_{w,p}$ 46 dB

Airtight: High-quality multi-chamber sealing profile adjustable fixed in the three sided groove of the frame in connection with a stop sill.

Driving Rain Water tight: High-quality multi-chamber sealing profile adjustable fixed in the three sided groove of the frame in connection with a stop sill.

Windproof High-quality multi-chamber sealing profile adjustable fixed in the three sided groove of the frame in connection with a stop sill

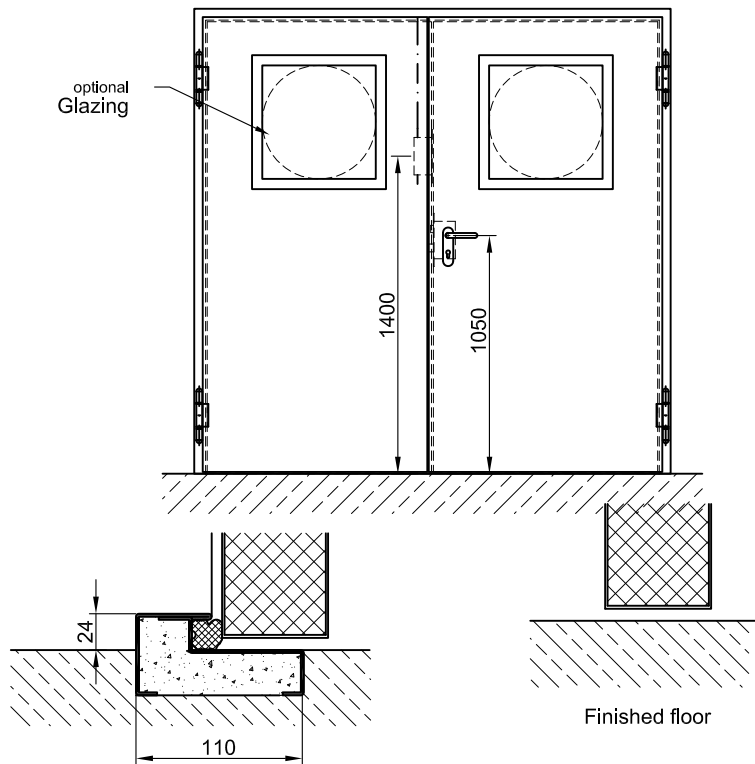
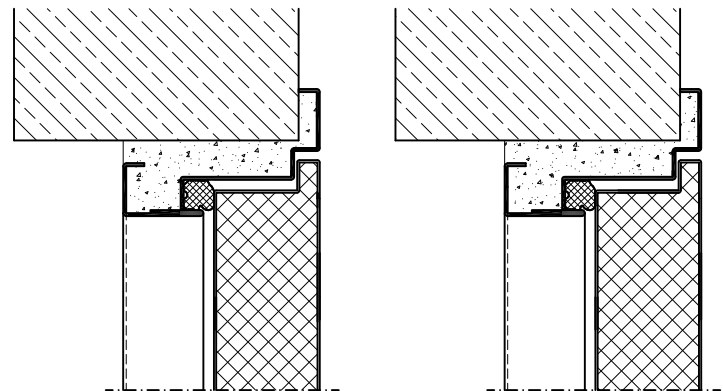
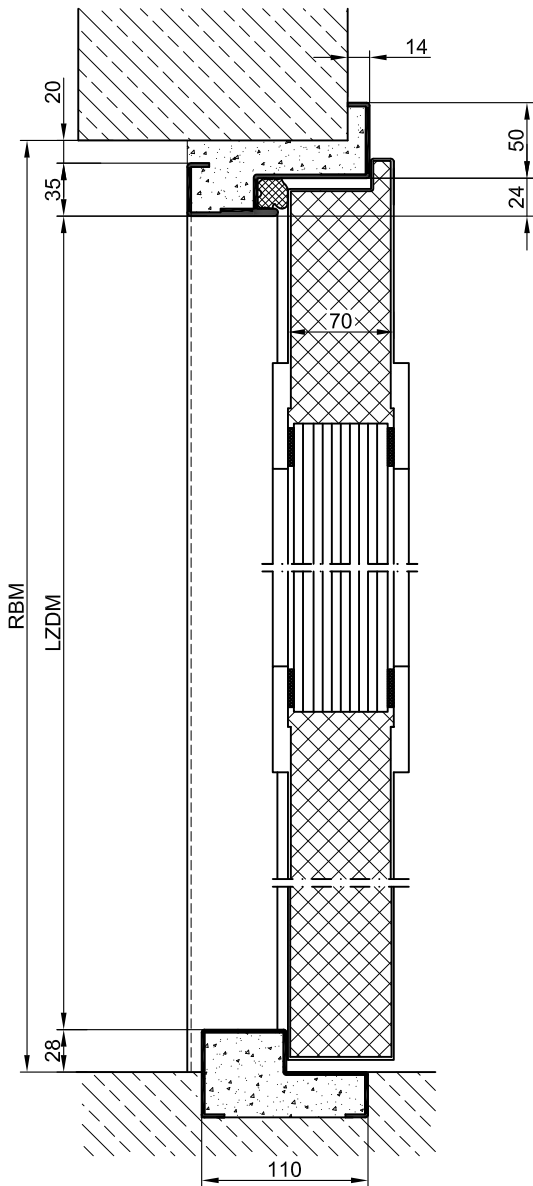
Stainless Steel: Material 1.4301 (V2A) or 1.4571 (V4A),
Surface bright mill, brushed or matted.



BASIC

PREMIUM

SUPERIOR

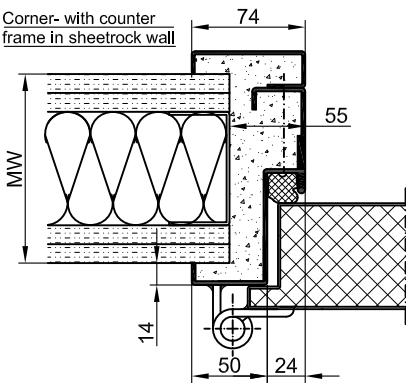
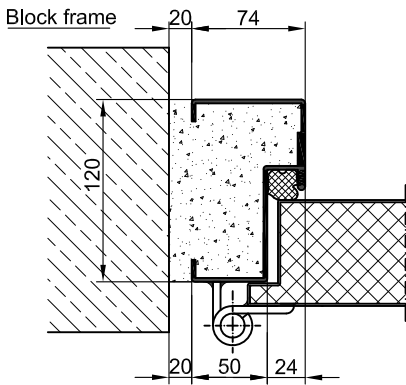
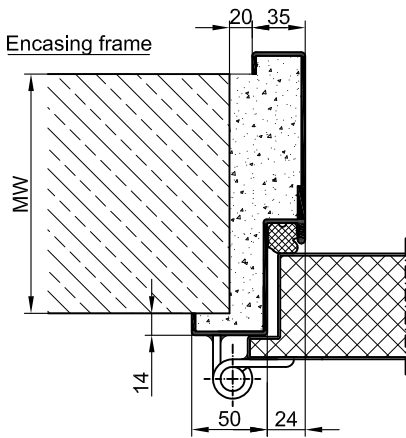
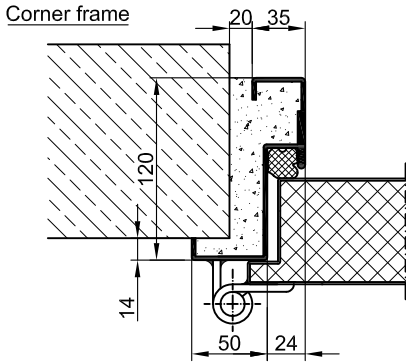


Stop sill
without sealing profile

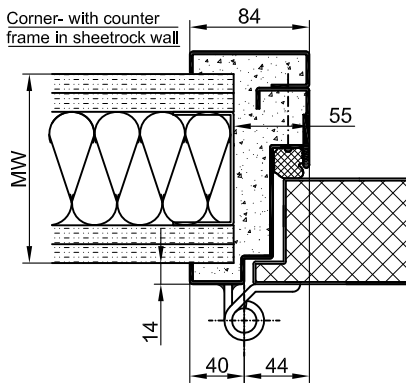
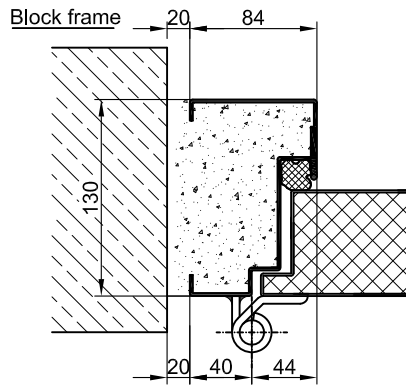
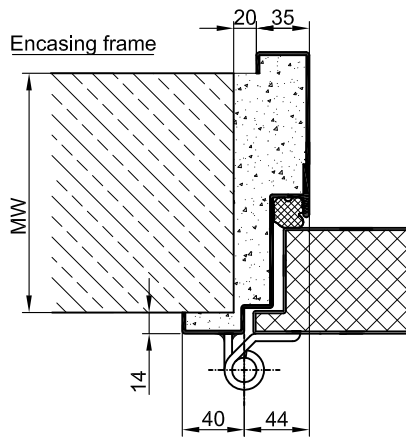
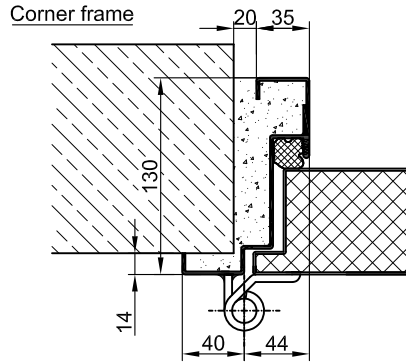
Stop sill
with sealing profile

ADVICE: In this case
no bullet resistance in
the threshold range!

BASIC



PREMIUM



SUPERIOR

