

**Double Wing Air Tight Steel Door**

**Plane Optic**

**Air tight**

**Class 3 and 4**

**in accordance with DIN EN 1026**

* Noise Control	up to $R_w$ 54 dB	in accordance with DIN EN ISO 10140-2
* Burglar Proof	RC2/RC3/RC4/RC5	in accordance with DIN EN 1627
* Shot Inhibiting	FB4	in accordance with DIN EN 1522
* Air Tight	Class. 4	in accordance with DIN EN 1026
* Rain and Fire Water Tight	Class. 6A	in accordance with DIN EN 1027
* Wind thight	Class. C5	in accordance with DIN EN 12211
* Pressure resistant	up to 5 kPa	
* Explosion protection	up to zone 1/21	in acc. with DIN EN 1127-1 or ATEX 94/9/EG
* Stainless steel		

**Range of Dimensions:**

**Width from 1375 mm to 3000 mm**

**Height from 1750 mm to 3000 mm**

(\* special options see back of page)

**Technical specification and text for invitation to tender**

<b>Product:</b>	<b>PL 2 double wing air tight steel door brand Buchele in accordance with DIN EN 1026</b>
<b>Door Type:</b>	<b>PLANE Line PL 2 (LD) BASIC</b>
<b>Air tight classification:</b>	.....
<b>Dimensions:</b>	<b>.... x .... mm</b>
<b>Door Leaf classification 3</b>	Double walled, level 70 mm thick steel door leaf without hinge embossing, three sides folded with thick rebate without bottom stop. With drop seal to the floor. Special insulating inserts completely laid in and glued.
<b>Sill classification 3:</b>	Floor bracket as separation bar. Surface galvanized and welded to the frame.
<b>Door Leaf classification 4</b>	Double walled, level 70 mm thick steel door leaf without hinge embossing, three sides folded with thick rebate. Special insulating inserts completely laid in and glued.
<b>Sill classification 3:</b>	Stop sill, surface galvanized and welded to the frame.
<b>Frame:</b>	3-sided circumferential folded corner frame with high-quality multi-chamber sealing profile adjustable fixed in the three sided groove.
<b>Hinges:</b>	Threepart height-adjustable construction hinges with hinge pin retention and ball-bearing spacer ring for smooth door movement.
<b>Fitting:</b>	<b>Active door leaf</b> with mortice lock with latch lever function in accordance with DIN EN 12209 (prepared for installation of a profile cylinder lock provided by customer). Door handle set in accordance with DIN EN 1906 firmly installed turnable synthetic material black in U-shape with rounded short-plate. <b>Inactive door leaf</b> with espagnolette bolt lock in the central rebate profile.

**Type PLANE Line PL 2 (LD) PREMIUM**

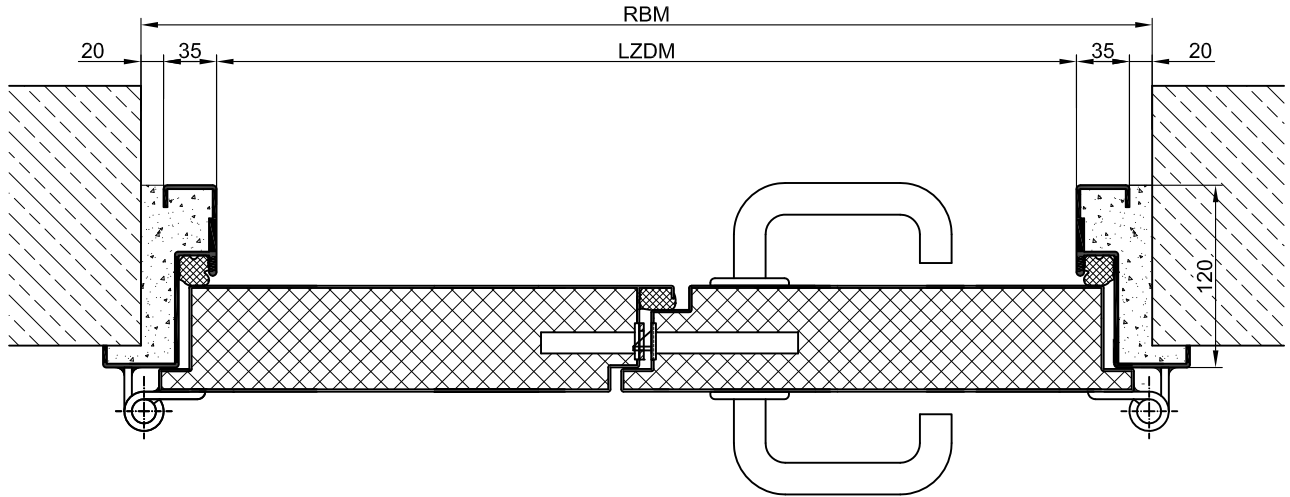
- Frame:** Three sided circumferential folded PLANE Line special corner frame for flush mounted optics on hinge side. With high-quality multi-chamber sealing profile adjustable fixed in the three sided groove.
- Hinges:** Object hinges type VB-3D 160 adjustable in three dimensions. Reception element with internal positioned slide bearings for smooth door movement.

**Type PLANE Line PL 2 (LD) SUPERIOR**

- Frame:** Three sided circumferential folded PLANE Line special corner frame for flush mounted optics on hinge side. With high-quality multi-chamber sealing profile adjustable fixed in the three sided groove..
- Hinges:** Concealed hinge system adjustable in three dimensions.
- Surface:** Door leaf and frame galvanized and primed with one component primer similar RAL 7001.
- Mounting:** Delivery and professional assembly including filling of the cavities in the frame with mortar of group III.

**Special Models**

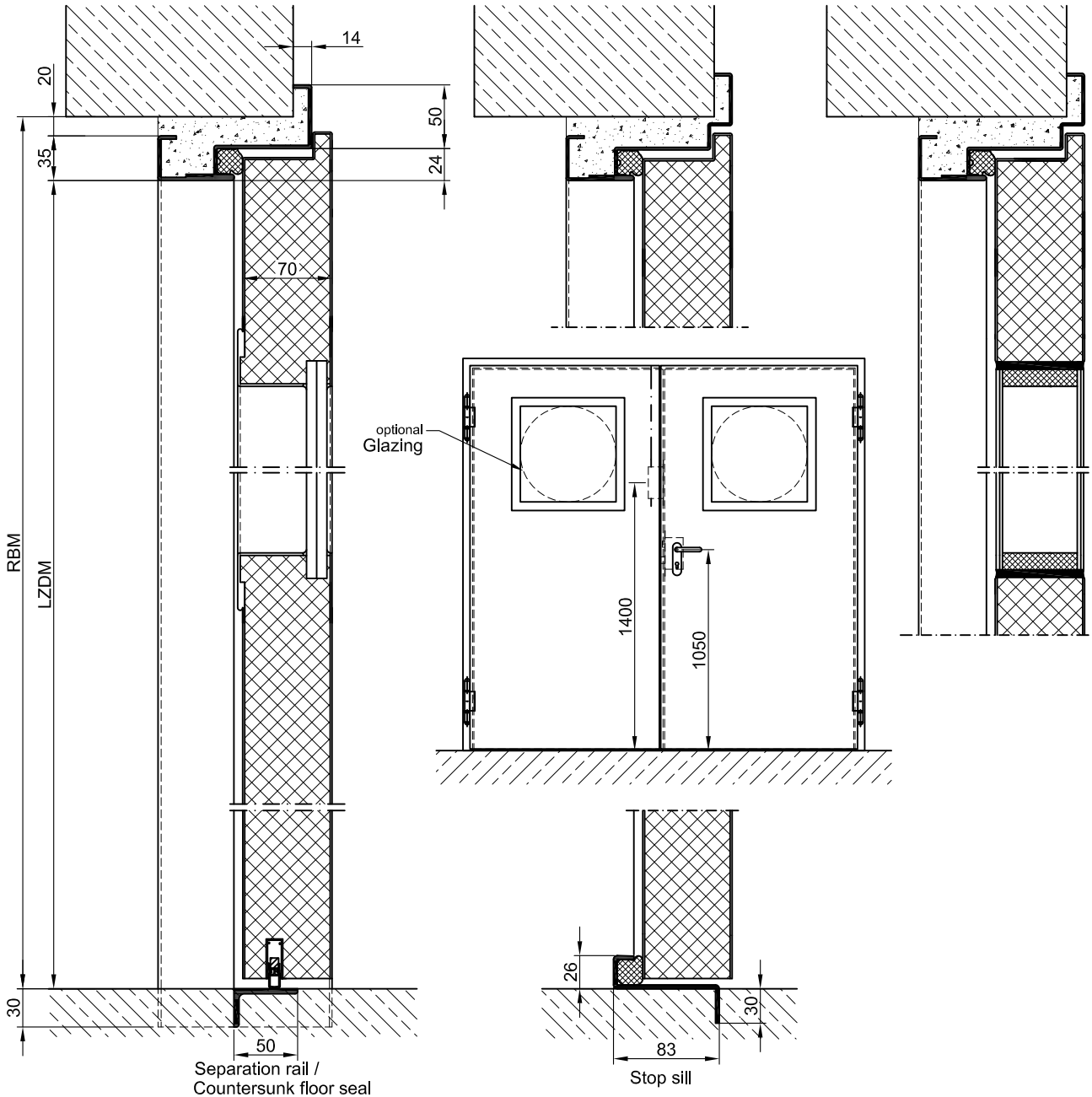
- Flush Glazing:** **PLANE Line** special glazing flush with outer edge of door leaf on hinge side and opposite of hinge side.  
Edge enameling and permanent elastic glazing joint in color black RAL 9004.  
Minimum frieze width 125 mm side and top, base 300 mm.
- Standard Glazing:** Regular glazing – or insulated glazing (glazing freely selectable) held by profiled and visibly screwed steel glazing bars.  
Minimum frieze width 125 mm side and top, base 300 mm.
- Burglary Protection:** RC 2, RC 3, RC 4 or RC 5 safety package with safety fitting.
- Bullet Proof:** FB 4-NS special inlay in door leaf and frame.
- Airtight:** High-quality multi-chamber sealing profile adjustable fixed in the three sided groove of the frame in connection with a drop seal or a stop seal.
- Driving Rain Water tight:** High-quality multi-chamber sealing profile adjustable fixed in the three sided groove of the frame in connection with a drop seal or a stop seal.
- Windproof** High-quality multi-chamber sealing profile adjustable fixed in the three sided groove of the frame in connection with a drop seal or a stop seal
- Stainless Steel:** Material 1.4301 (V2A) or 1.4571 (V4A),  
Surface bright mill, brushed or mattet.



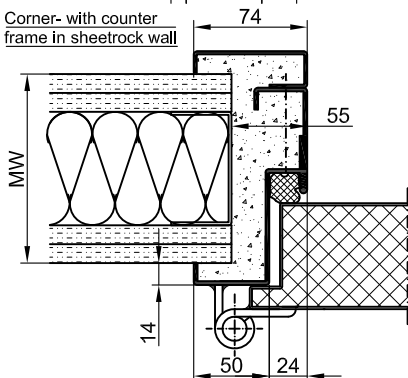
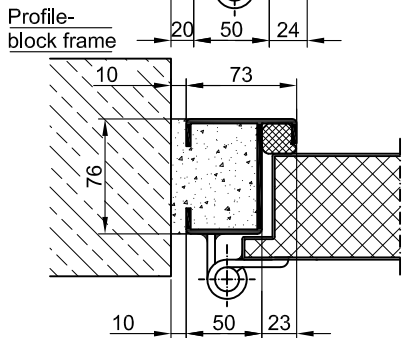
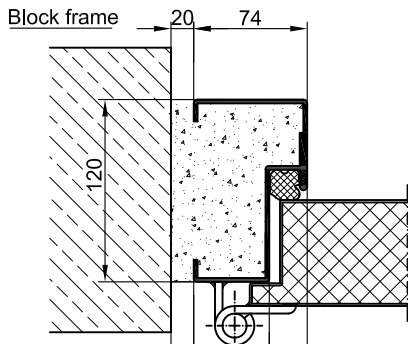
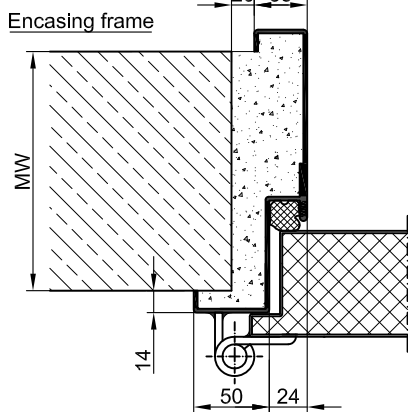
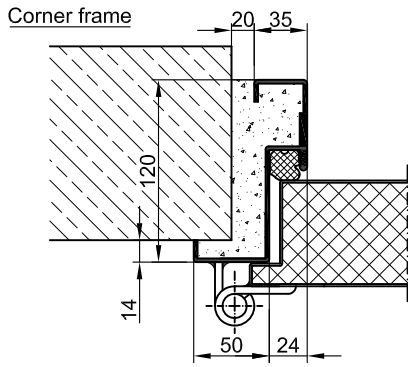
BASIC

PREMIUM

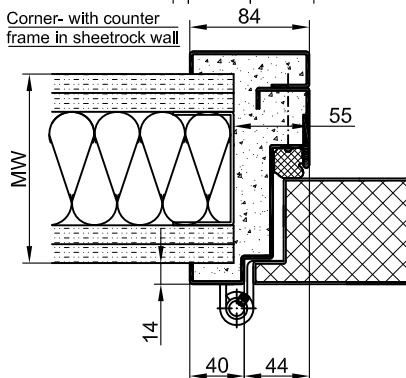
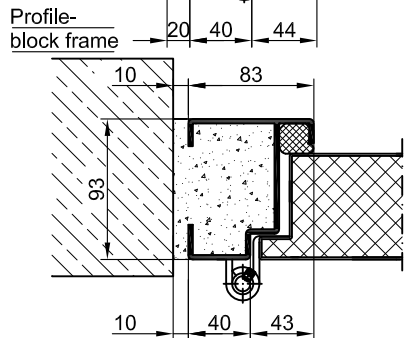
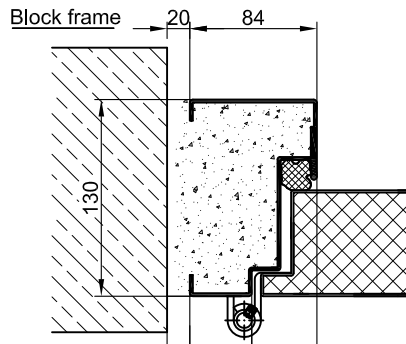
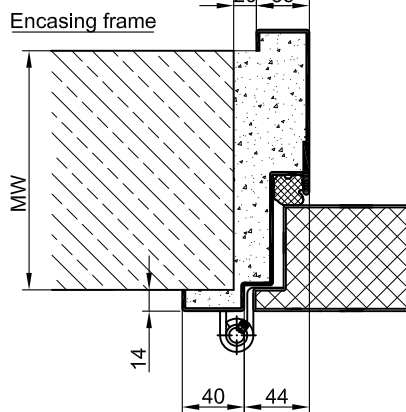
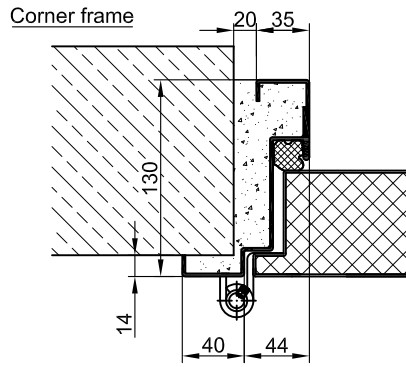
SUPERIOR



**BASIC**



**PREMIUM**



**SUPERIOR**

