

Single Wing T 30 (EI₂ 30-S₂₀₀C5) Fire Retardant Acoustic Door

Plane Optic		
Fire/ Smoke Protection	T30 (EI₂ 30-S₂₀₀C5)	in accordance with DIN EN 1634-1 and 1634-3
Noise Control	up to R_{w,P} 54 dB	in accordance with DIN EN ISO 10140-2

* Burglar Proof	RC2/RC3/RC4/RC5	in accordance with DIN V ENV 1627
* Shot Inhibiting	FB4	in accordance with DIN EN 1522
* Air Tight	up to classification 4	in accordance with DIN EN 1026
* Rain and fire water tight	Class. 6A	in accordance with DIN EN 1027
* Wind tight	Class. C5	in accordance with DIN EN 12211
* Pressure resistant	up to 18 kPa	
* Explosion protection	up to zone 1/21	in acc. with DIN EN 1127-1 or ATEX 94/9/EG
* Stainless steel		

Range of Dimensions Door: Width from 625 mm to 1500 mm
Height from 1750 mm to 3000 mm

Range of Dimensions Hatch: Width from 625 mm to 750 mm
Height from 500 mm to 1750 mm

(* special options see back of page)

Door Type	Insulation rate	Sill
Plane Line PL 301	R _{w,P} 38 dB	Sep. bar/Countersunk seal
Plane Line PL 301	R _{w,P} 40 dB	Sep. bar/Countersunk seal
Plane Line PL 301	R _{w,P} 42 dB	Sep. bar/Countersunk seal
Plane Line PL 301	R _{w,P} 46 dB	Sep. bar/Countersunk seal
Plane Line PL 301	R _{w,P} 52 dB	Hump Sill/ drag seal
Plane Line PL 301	R _{w,P} 54 dB	Hump Sill/ drag seal

Technical specification and text for invitation to tender

Product:	T30-1 (EI₂ 30-S₂₀₀C5) single wing fire retardant and smoke protection Steel door brand Buchele in accordance with DIN EN 1634-1, DIN EN 1634-3 and DIN EN ISO 10140-2
Door Type:	PLANE Line PL 301 BASIC
Noise controll R_{w,P}dB
Dimensions: x mm
Door Leaf up to 46 dB:	Double walled, level 70 mm thick steel door leaf without hinge embossing, three sides folded with thick rebate without bottom stop. With drop seal to the floor. Special insulating inserts completely laid in and glued. Safety bolt screwed in door leaf fold.
Sill up to 46 dB:	Floor bracket as separation bar. Surface galvanized and welded to the frame.

Door Leaf from 52 dB:	Double walled, level 70 mm thick steel door leaf without hinge embossing, three sides folded with thick rebate and adjustable fixed sealing profile in the fold. Without bottom stop with duplex tow sealing system. Special insulating inserts completely laid in and glued. Safety bolt screwed in door leaf fold.
Sill from 52 dB:	Threshold profile barrier-free hump sill. Surface galvanized welded to the frame.
Frame:	3-sided circumferential folded corner frame with visible black coated intumescent material in fold. High-quality multi-chamber sealing profile adjustable fixed in the three sided groove.
Hinges:	Threepart height-adjustable construction hinges with hinge pin retention and ball-bearing spacer ring for smooth door movement.
Door Closer:	Standard arm door closer according to DIN EN 1154 silver colored mounted on hinge side.
Fitting:	Mortice lock with latch lever function in accordance with DIN EN 12209 (prepared for installation of a profile cylinder lock provided by customer). Door handle set in accordance with DIN EN 1906 firmly installed turnable synthetic material black in U-shape with rounded short-plate.

Type PLANE Line PL 301 PREMIUM

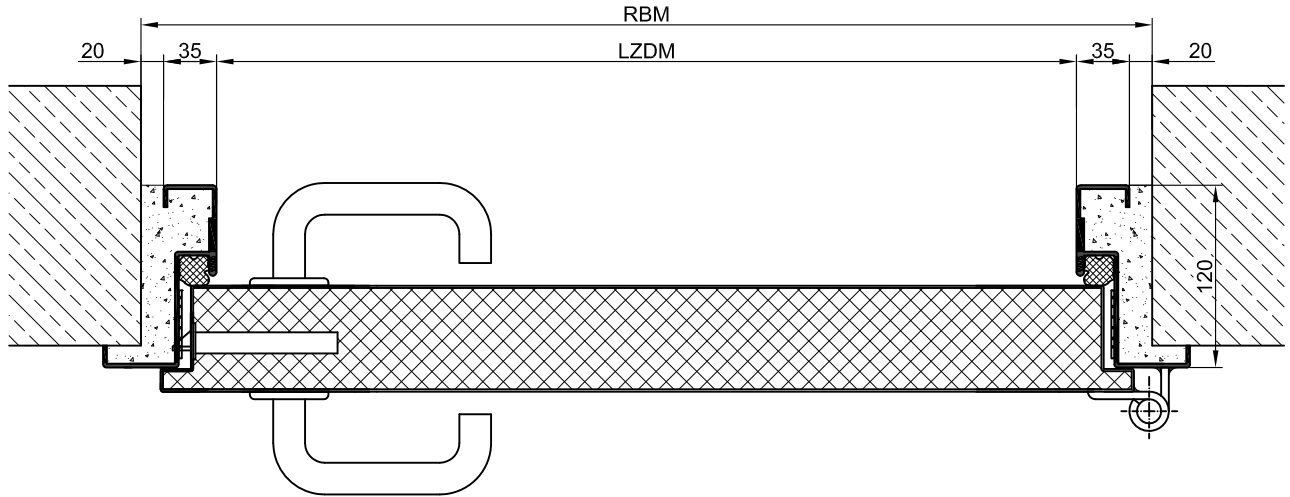
Frame:	Three sided circumferential folded PLANE Line special corner frame for flush mounted optics on hinge side. With visible black coated intumescent material in fold. High-quality multi-chamber sealing profile adjustable fixed in the three sided groove.
Hinges:	Object hinges type VB-3D 160 adjustable in three dimentions. Reception element with internal positioned slide bearings for smooth door movement.
Door Closer:	Slide channel door closer system in accordance with DIN EN 1154 silver colored mounted on hinge side.

Type PLANE Line PL 301 SUPERIOR

Frame:	Three sided circumferential folded PLANE Line special corner frame for flush mounted optics on hinge side. With visible black coated intumescent material in fold. High-quality multi-chamber sealing profile adjustable fixed in the three sided groove.								
Hinges:	Concealed hinge system adjustable in three dimensions.								
Door Closer:	Concealed slide channel door closer system in accordance with DIN EN 1154 integrated in frame and door leaf.								
Surface:	Door leaf and frame galvanized and primed with one component primer similar RAL 7001.								
Mounting:	Delivery and professional assembly including filling of the cavities in the frame with mortar of group III.								
Installation:	<table border="0"> <tr> <td>Masonry</td> <td>≥ 115 mm</td> </tr> <tr> <td>Concrete</td> <td>≥ 100 mm</td> </tr> <tr> <td>Aerated concrete</td> <td>≥ 200 mm</td> </tr> <tr> <td>Mounting wall F60</td> <td>≥ 125 mm</td> </tr> </table>	Masonry	≥ 115 mm	Concrete	≥ 100 mm	Aerated concrete	≥ 200 mm	Mounting wall F60	≥ 125 mm
Masonry	≥ 115 mm								
Concrete	≥ 100 mm								
Aerated concrete	≥ 200 mm								
Mounting wall F60	≥ 125 mm								

Special Models

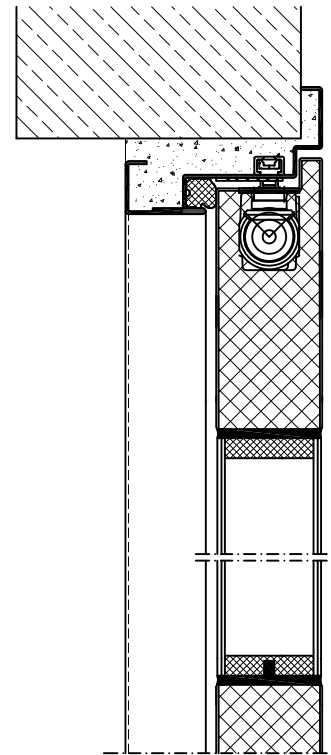
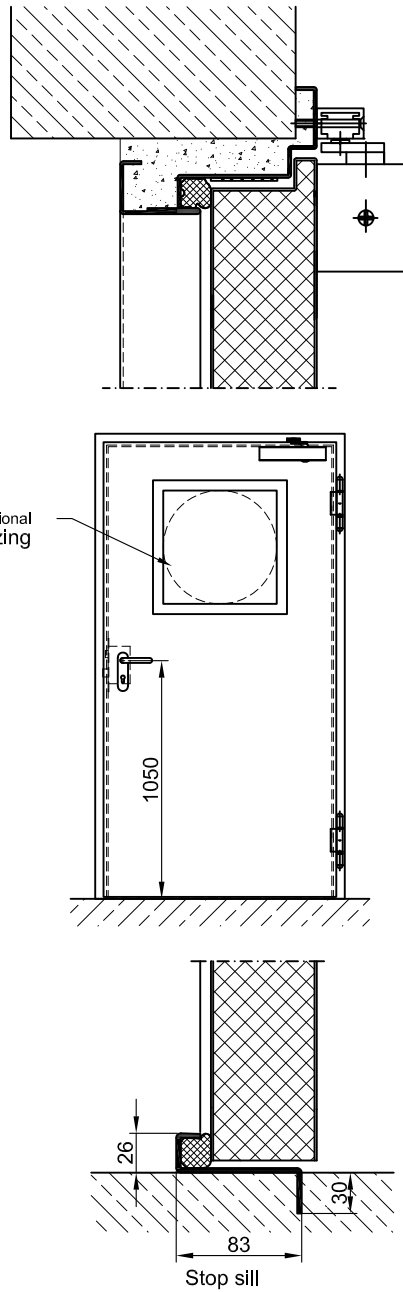
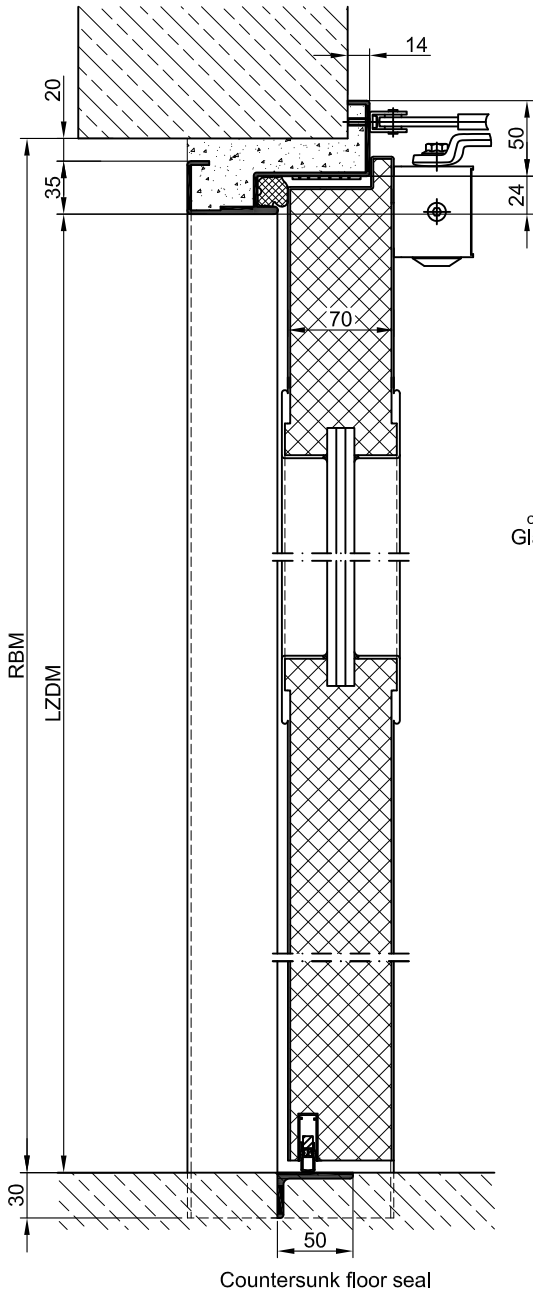
Flush Glazing:	PLANE Line F30 special glazing flush with outer edge of door leaf on hinge side and opposite of hinge side. Edge enameling and permanent elastic glazing joint in color black RAL 9004. Minimum frieze width 125 mm side and top, base 300 mm. Sound-reduction index max. $R_{w,P}$ max. 50dB
Standard Glazing:	F30 fireproof glazing held by profiled and visibly screwed steel glazing bars. Minimum frieze width 125 mm side and top, base 300 mm. Sound-reduction index max. $R_{w,P}$ max. 50dB
Burglary Protection:	RC 2,RC 3,RC 4 or RC 5 safety package with safety fitting.
Bullet Proof:	FB 4-NS special inlay in door leaf and frame.
Airtight:	High-quality multi-chamber sealing profile adjustable fixed in the three sided groove of the frame in connection with a drop seal or a stop seal.
Driving Rain Water tight:	High-quality multi-chamber sealing profile adjustable fixed in the three sided groove of the frame in connection with a drop seal or a stop seal.
Windproof	High-quality multi-chamber sealing profile adjustable fixed in the three sided groove of the frame in connection with a drop seal or a stop seal
Stainless Steel:	Material 1.4301 (V2A) or 1.4571 (V4A), Surface bright mill, brushed or mattet



BASIC

PREMIUM

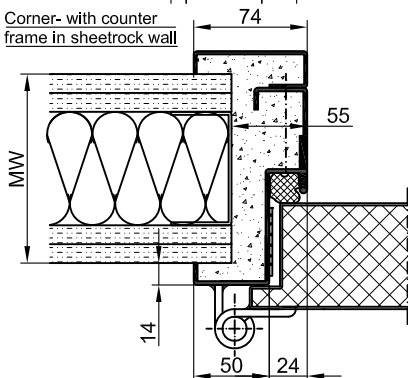
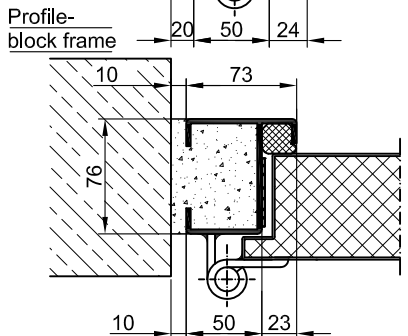
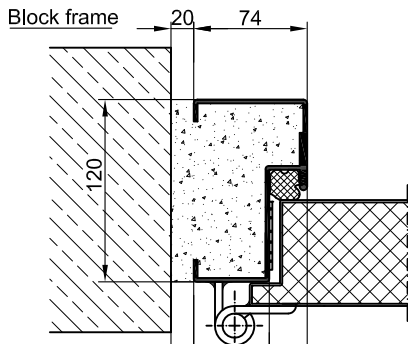
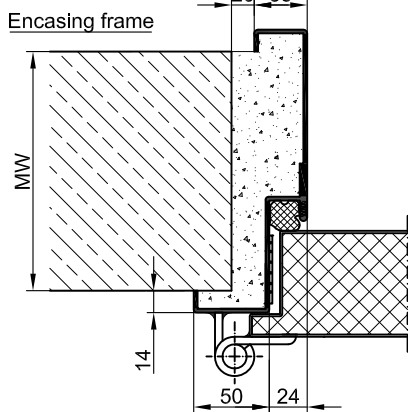
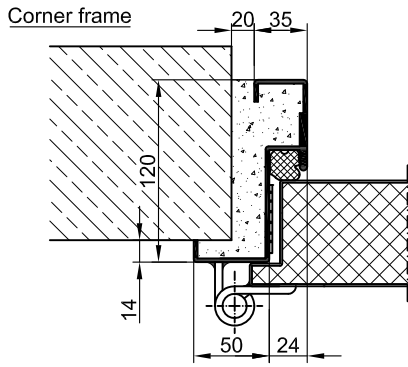
SUPERIOR



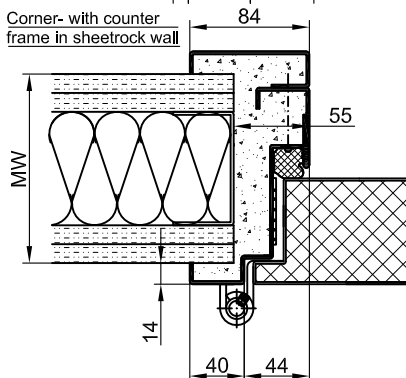
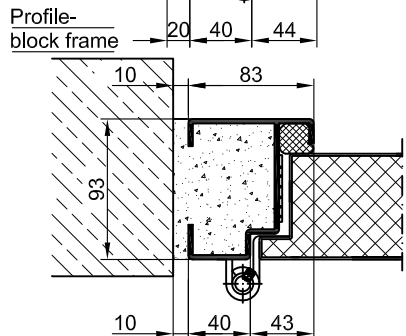
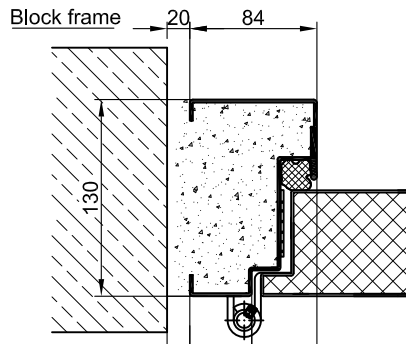
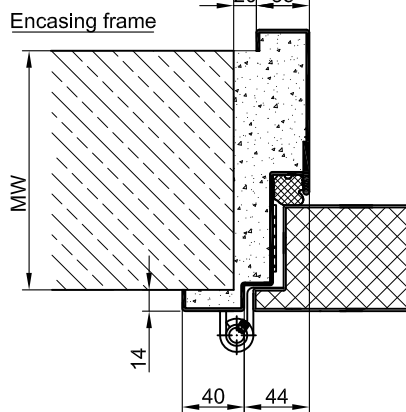
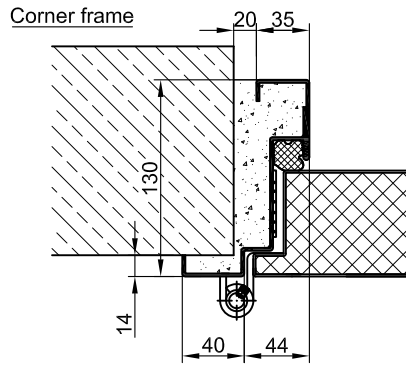
optional
Glazing

1050

BASIC



PREMIUM



SUPERIOR

