

**Double Wing T 30 (EI<sub>2</sub> 30-S<sub>200</sub>C5) Fire Retardant Acoustic Door**

<b>Fire/ Smoke Protection</b>	<b>T30 (EI<sub>2</sub> 30-S<sub>200</sub>C5)</b> in accordance with DIN EN 1634-1 and 1634-3
<b>Noise Control</b>	<b>R<sub>w,P</sub> 57 dB</b> in accordance with DIN EN ISO 10140-2

* Burglar Proof	<b>RC2/RC3/RC4</b>	in accordance with DIN V ENV 1627
* Shot Inhibiting	<b>FB4, FB6, FB7-NS</b>	in accordance with DIN EN 1522
* Air Tight	<b>up to classification 4</b>	in accordance with DIN EN 1026
* Rain and fire water tight	<b>Class. 6A</b>	in accordance with DIN EN 1027
* Wind thight	<b>Class. C5</b>	in accordance with DIN EN 12211
* Pressure resistant	<b>up to 5 kPa</b>	
* Explosion protection	<b>up to zone 1/21</b>	in acc. with DIN EN 1127-1 or ATEX 94/9/EG
* Stainless steel		

**Range of Dimensions:**                      **Width from 1375 mm to 4000 mm**  
**Height from 1750 mm to 4000 mm**

(\* special options see back of page)

**Technical specification and text for invitation to tender**

<b>Product:</b> protection	<b>T30-2 (EI<sub>2</sub> 30-S<sub>200</sub>C5) double wing fire retardant and smoke steel door brand Buchele in accordance with DIN EN 1634-1, DIN EN 1634-3 and DIN EN ISO 10140-2</b>
<b>Door Type:</b>	<b>T30-2 STB 57-2 POWER Line</b>
<b>Noise control R<sub>w,P</sub></b>	<b>57 dB</b>
<b>Dimensions:</b>	<b>.... x .... mm</b>
<b>Door Leaf:</b>	Double walled, level 105 mm thick steel door leaf without hinge embossing, three sides folded with thick rebate and adjustable fixed sealing profile in the fold. Without bottom stop with duplex tow sealing system. Special insulating inserts completely laid in and glued. Safety bolt screwed in door leaf fold.
<b>Sill:</b>	Threshold profile barrier-free hump sill. Surface galvanized welded to the frame.
<b>Frame:</b>	3-sided circumferential folded corner frame with visible black coated intumescent material in fold. High-quality multi-chamber sealing profile adjustable fixed in the three sided groove.
<b>Hinges:</b>	Threepart height-adjustable construction hinges with hinge pin retention and ball-bearing spacer ring for smooth door movement.
<b>Door Closer:</b>	2 pieces Standard arm door closer according to DIN EN 1154 silver colored mounted on hinge side. 1 piece door coordinator device
<b>Fitting:</b>	<b>Traffic wing</b> with worm tension lock in a solid design with robust lock

worm, shock mounted striker plate and automatic false control barrier (FB-barrier).

Lock prepared for installation of a profile cylinder supplied by customer .  
Clamping lever in aluminium F1 enforced design ergonomic design, fixed rotatable on with square plate visible screwed to the door leaf.

**Inactive wing** with 2 point automatic locking system attached on the door leaf

Door handle set in accordance with DIN EN 1906 fixed rotatable aluminium F1 in U-shape with rounded plated.

**Surface:**

Door leaf and frame galvanized and primed with one component primer similar RAL 7001.

**Mounting:**

Delivery and professional assembly including filling of the cavities in the frame with mortar of group III.

### Special Models

**Standard Glazing:**

F30 fire protection glazing held on two sides by profiled and visibly screwed steel glazing bars.

Minimum frieze width 125 mm side and top, base 340 mm.

Sound-reduction index max.  $R_{w,P}$  max. 50dB

**Burglary Protection:**

RC 2, RC 3 or RC 4 safety package with safety fitting.

**Bullet Proof:**

FB 4-NS special inlay in door leaf and frame.

**Airtight:**

High-quality multi-chamber sealing profile adjustable fixed in the three sided groove of the frame in connection with a duplex tow sealing system. or a stop seal.

**Driving Rain Water tight:**

High-quality multi-chamber sealing profile adjustable fixed in the three sided groove of the frame in connection with a duplex tow sealing system. or a stop seal.

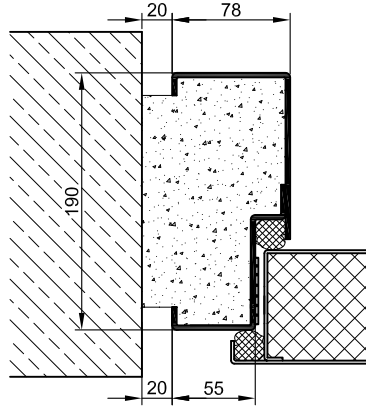
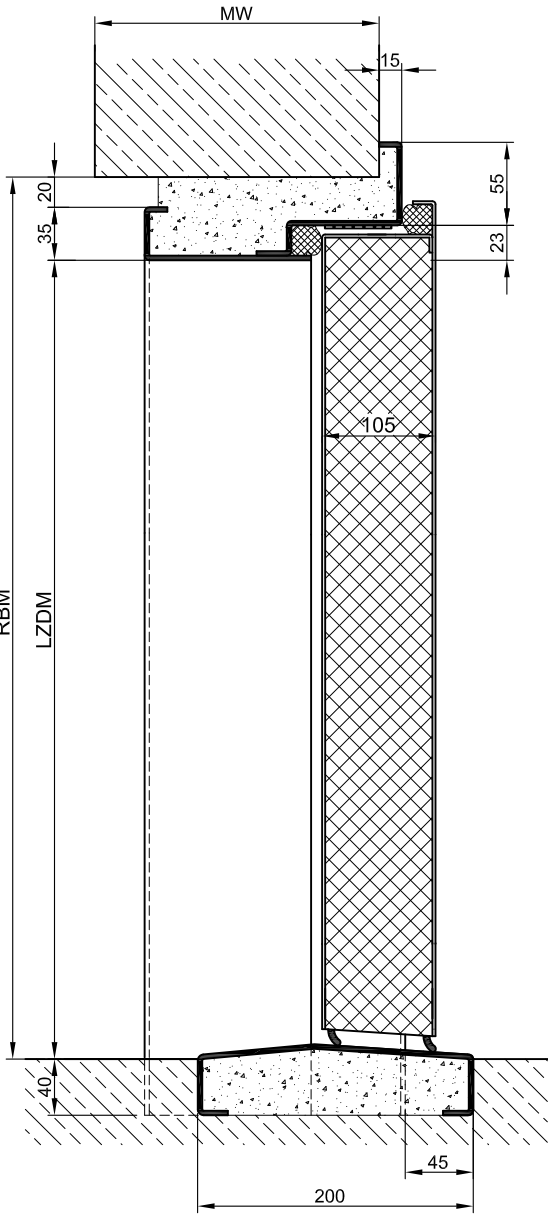
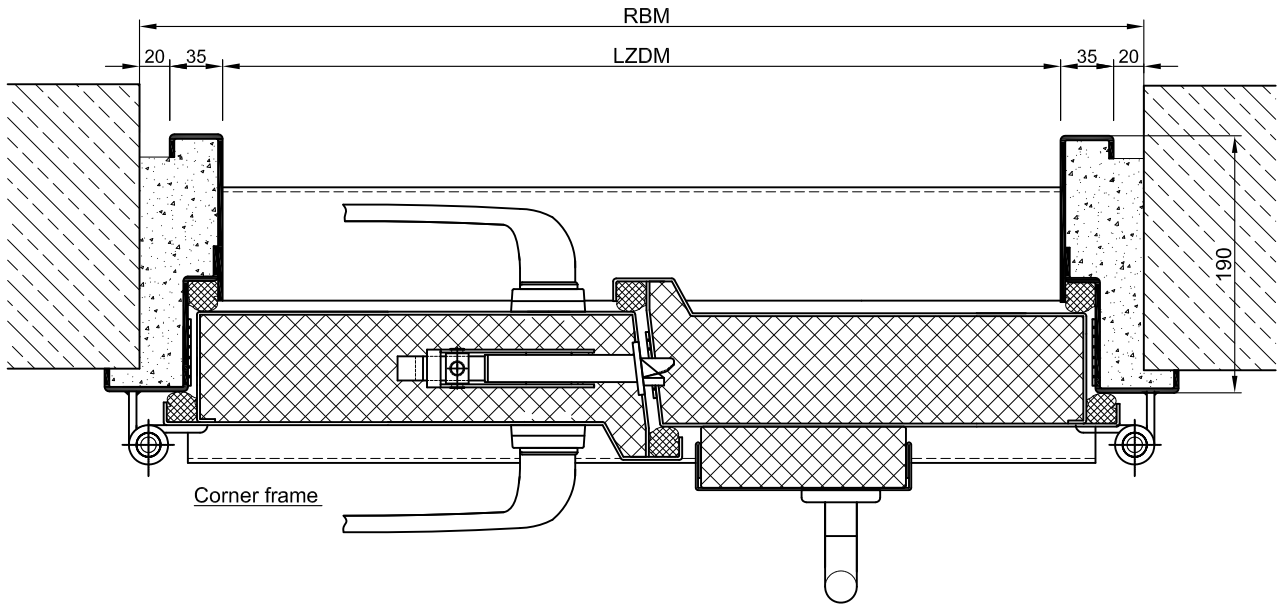
**Windproof**

High-quality multi-chamber sealing profile adjustable fixed in the three sided groove of the frame in connection with duplex tow sealing system. or a stop seal

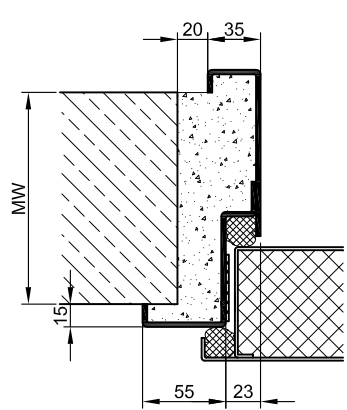
**Stainless Steel:**

Material 1.4301 (V2A) or. 1.4571 (V4A),

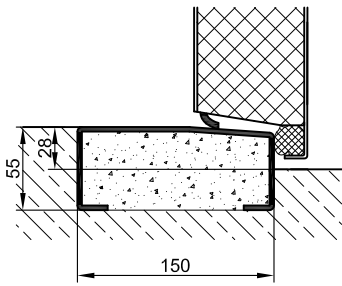
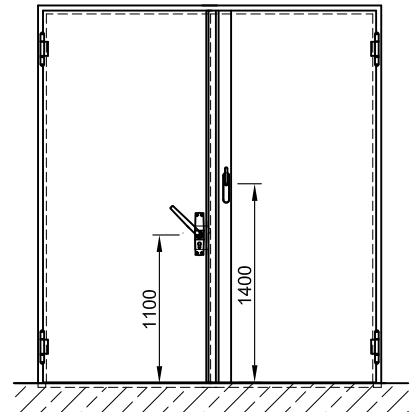
Surface bright mill, brushed or mattet



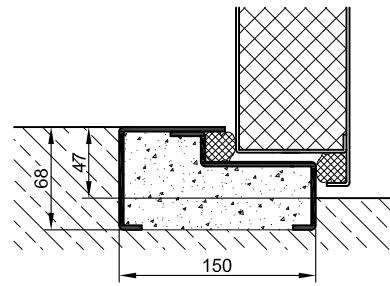
Block frame



Encasing frame



Half sill



Full sill